



Parts Manual
Max Ride 26 Floor Scrubber
Disc Brush Drive

PREFACE

Thank you for your purchase of the new industry standard for scrubbers. Minuteman International takes great pride in offering the most dependable, reliable and best value in industrial power sweepers and sweeper / scrubbers. We set the standard.

Our Customer Service Department would like to hear from you. If you see any errors, omissions or something that needs clarification in this Parts Catalog please let us know. We are working hard towards continually improving our processes to bring you the best you deserve. Please copy the form below, fill out and comment on how you found our catalog.

Thank you!

The Minuteman International Team

Name: _____

Title: _____

Company Name: _____

Address: _____

Country: _____

Type of equipment or model number: _____

Comments: _____

Please return to:

Customer Service Manager
Minuteman International, Inc.
14N845 U.S. Route 20
Pingree Grove, Illinois 60140 USA

Phone: (800) 323-9420

Email: tech@minutemanintl.com

Technical Specifications

Model Max Ride 26
Models: A-MR26D, A-MR26DQP, A-MR26DQPG, A-MR26DS, A-MR26DSQP, A-MR26DSQPG,
A-MR26DINT, A-MR26DQPINT, A-MR26DSINT, A-MR26DSQPINT

Model	MAX Ride 26
Scrub Head Type	Disc
Scrub Path	26 in/two 13" brushes (66 cm)
Solution Capacity	21 gal (79L)
Recovery Capacity	23.5 gal (89L)
Max Speed	3.1 mph (5 kh)
Max Productivity	32,490 sq. ft/hr (3018 sq. m/hr)
Actual Productivity	24,562 sq. ft/hr (2282 sq. m/hr)
Brush Pressure	74 lbs/102 Nm
Brush Speed	175-400 RPM
Brush Motor	400/600 watts
Vacuum Motor	550 watts
Vacuum Airflow	69 cfm (32.4L /sec)
Vacuum Waterlift	68" H2O (172 cm H2O)
Sound Pressure	68 dba
Water Flow	.45 gpm (1.7L / min)
Min. Turn-Around Aisle Width	55" (140 cm)
Maximum Ramp Climbing	2%
Squeegee Width	31" (78 cm)
Machine Voltage	24 VDC
Power Source	Battery (2) 12V 210 AH
Battery Charger	On Board
Maximum Run Time	3-3.5 hrs.
Dimensions W/ Squeegee	52"L x 31"W x 45" H (132 cm x 78 cm x 114 cm)
Weight Without Batteries	437 lbs (198 kg) No Solution
Weight With Batteries	882 lbs (400 kg) Full Solution and 210 AH battery pack
Approvals	None
IP Protection Class	IPX4

For Safety When Servicing or Maintaining Machine

- Stop on level surface.
- Disconnect the power to the machine by pulling the red Battery Connector located under the recovery tank near the batteries.
- Avoid moving parts. Do not wear loose jackets, shirts, or sleeves when working on machine.
- Avoid contact with battery acid. Battery acid can cause burns. When working on or around batteries, wear protective clothing and safety glasses. Remove metal jewelry. Do not lay tools or metal objects on top of batteries.
- Do not clean machine with a pressure washer.
- Authorized personnel must perform repairs and maintenance. Use Minuteman supplied replacement parts.

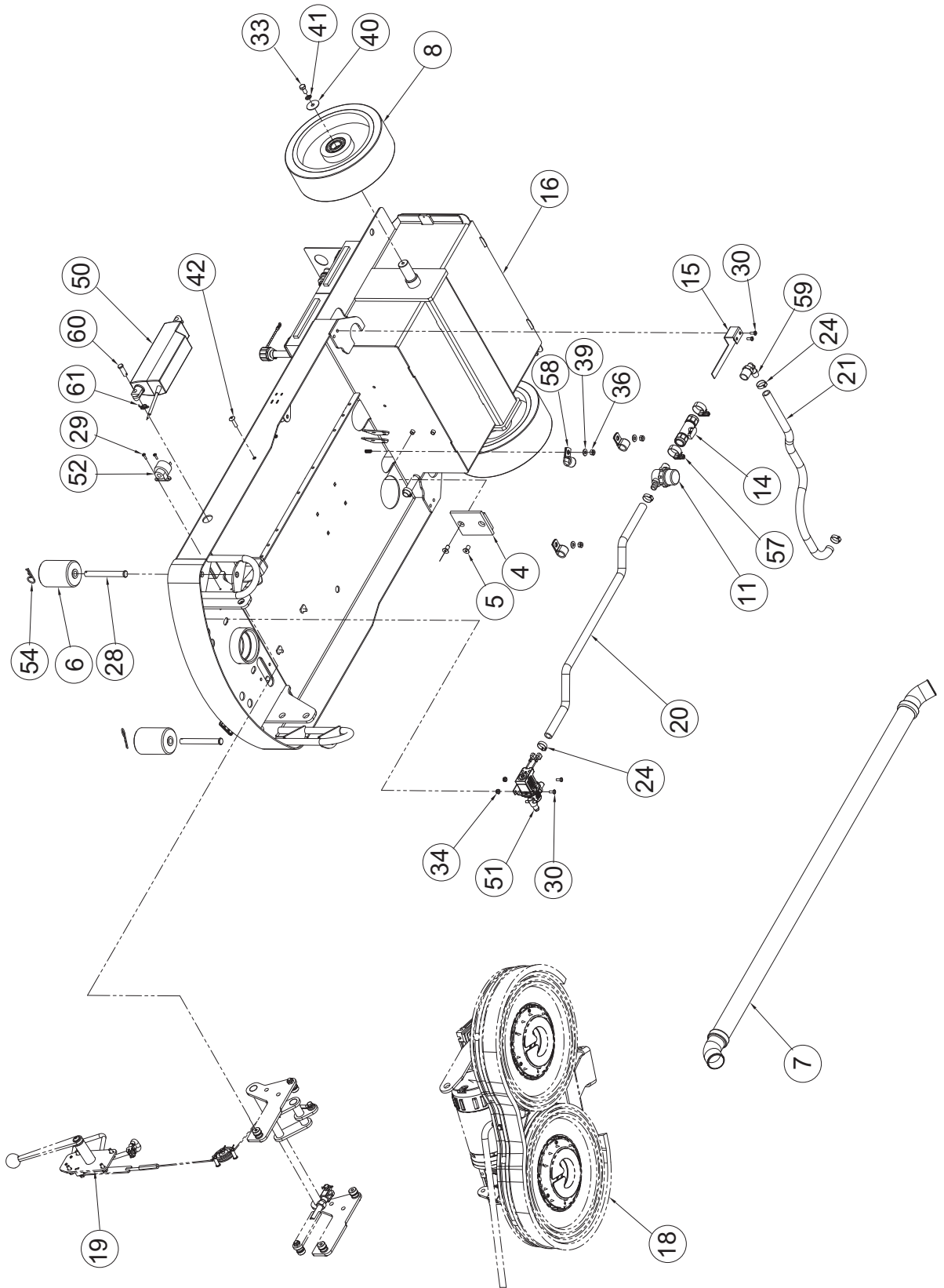
Table of Contents

Technical Specifications	3
Brush, Battery and Charger Options	5
Frame Group (Pg 1 of 2)	6
Frame Group (Pg 2 of 2)	7
Tower Group	10
Tank Group (Pg 1 of 2)	12
Tank Group (Pg 2 of 2)	13
Electrical Panel Assembly	16
Steering Column Group.....	18
Scrub Head Group.....	20
Scrub Head Lift Group.....	22
Squeegee Group	24
Squeegee Lift Group	26
Wiring Diagrams - ECO Models	28
Wiring Diagrams - Sport Models.....	36
Warranty	44

Brush, Battery and Charger Options

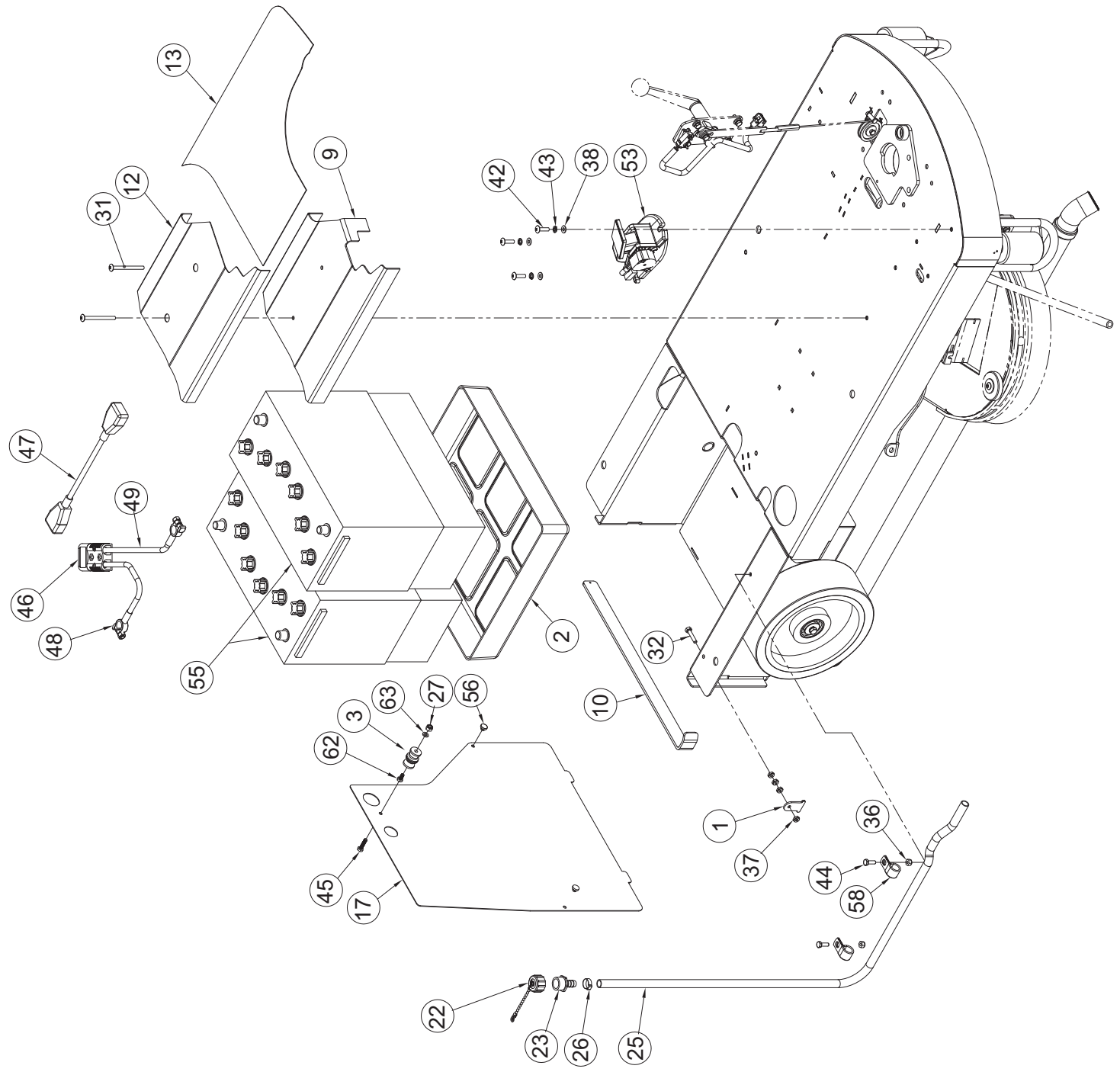
BATTERY AND CHARGER OPTIONS			
MODEL	BATTERY PART NO.	CHARGER PART NO.	DESCRIPTION
A-MR26DQPG, A-MR26DSQPG	956748	957764-4	BATTERY, 12V 234AH AGM
A-MR26DQP, A-MR26DQPINT, A-MR26DSQP, A-MR26DSQPINT	956705	957764-2	BATTERY, 12V 210AH

BRUSH OPTIONS			
		AQUASTOP BRUSHES	
PART #	DESCRIPTION	PART #	DESCRIPTION
246858-1	BRUSH-DISC, 13" NYLON, BLACK		
246858-3	BRUSH-DISC, 13" 80GR GREEN		
246858-2	PAD DRIVER, 13"		
246858-6	120 GRIT SEALED COATED CONCRETE		



Rev D

Frame Group (Pg 2 of 2)

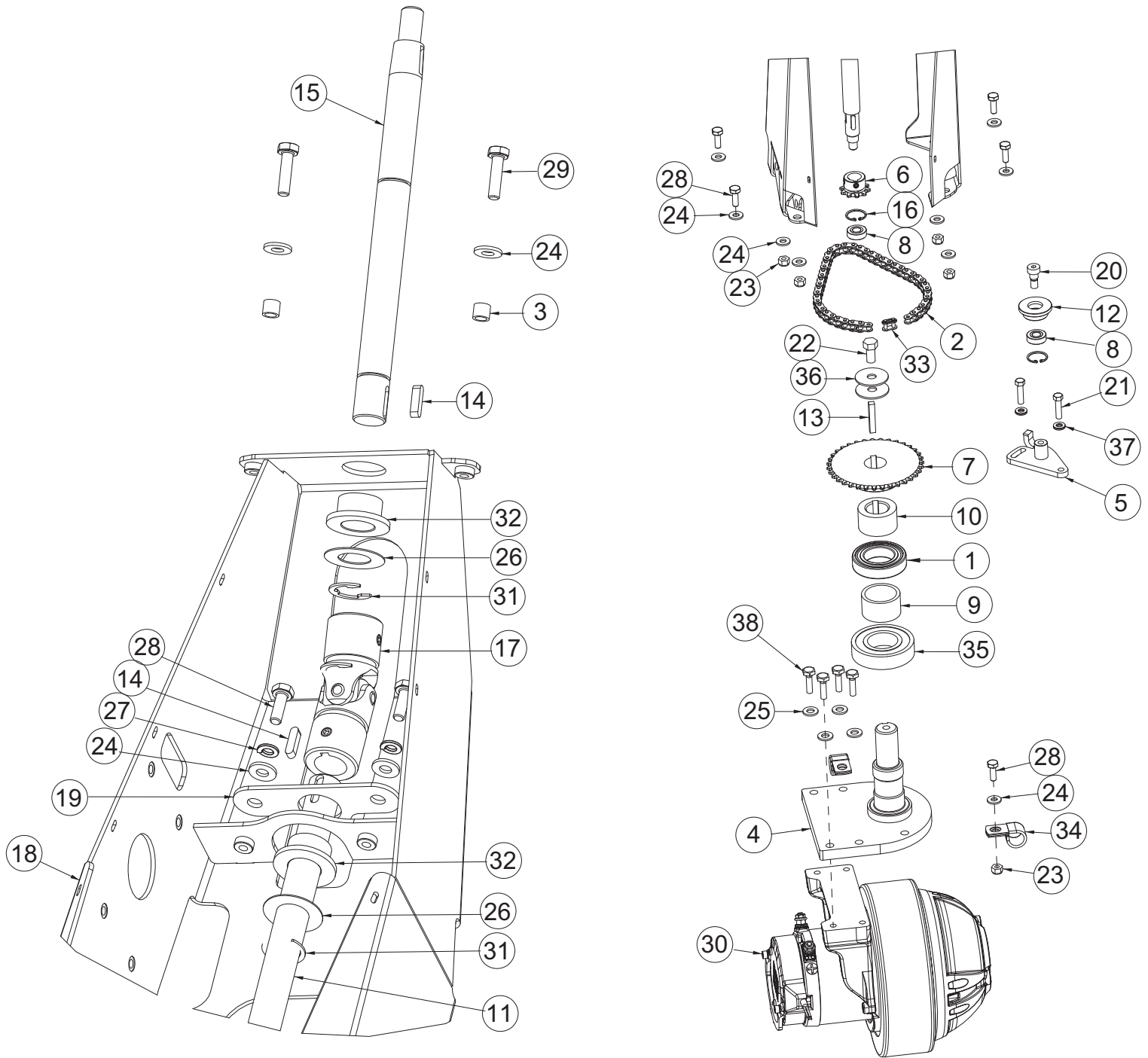


BILL OF MATERIAL - 246570			
ITEM	PART NO.	QTY	DESCRIPTION
1	245213	1	RETAINER-BATTERY BAR
2	245216	1	BOX-BATTERY-MAX 26
3	245222	1	LATCH-RUBBER
4	245304	1	BLOCK, SLIDE
5	245338	2	SCR-FHSCS 5/16-18 X 5/8 SS
6	245419	2	ROLLER, BUMPER, 2.5 DIA.
7	245450	1	HOSE-VAC, CLEAR 1.50"ID X 43 LONG
8	245461	2	WHEEL - ASSY, IDLER, 254 x 80 W/BRGS
9	245570	1	WELDMENT, RISER, 26"
10	245662	1	BAR, BATTERY RETAINER
11	245781	1	FILTER - 1/2 MPT X 1/2 HB
12	245803	1	TREAD, ANTI-SKID, RISER 26"
13	245804	1	TREAD, ANTI-SKID, FRAME 26"
14	245845	1	VALVE- BALL 1/2 FPT X 1/2 FPT
15	246073	1	PLATE - MTG - BALL VALVE AND FILTER
16	246540	1	WELDMENT, FRAME, 26
17	246549	1	COVER, REAR 26
18	246576	1	TANK GROUP, 26"
19	246574	1	SCRUB HEAD LIFT GROUP, 26"
20	246650	1	TUBING, .50 ID X .13 WAL BRA VIN 28.0 IN
21	246651	1	TUBING, .50 ID X .13 WAL BRA VIN 22.0 IN
22	283690	1	ASSY, BREATHER CAP W LANYARD
23	342445	1	FTG-GARDEN ST 1/2 HB PP
24	383347	5	CLAMP-CRIMP 1/2 HOSE
25	430232	1	HOSE, 1/2 ID X 48", CLEAR
26	450076	1	CLAMP-HOSE 5/8 (.590-.791) SS
27	600933	1	NUT-NYLOC M6-1.00 SS
28	620027	2	PIN-CLEVIS 1/2 X 4.50 ZP
29	710204	2	SCR-PHMS 6-32 X .50 ZP
30	710355	4	SCR-RHMS 10-32 X .50 ZP
31	710592	2	SCR-THMS 1/4-20 X 3.00 SS
32	711210	1	SCR-HH 1/4-20 X 1.25 ZP GR 5 FULL THRD
33	711227	2	SCR-HH 5/16-18 X .62 ZP GR 5
34	711350	2	NUT-NYLOC 10-32 ZP

Frame Group BOM (Pg 2 of 2)

BILL OF MATERIAL - 246570			
ITEM	PART NO.	QTY	DESCRIPTION
35	711371	2	NUT-NYLOC 6-32 ZP
36	711373	5	NUT-NYLOC 1/4-20 ZP
37	711387	4	NUT-JAM 1/4-20 ZP NYLOC
38	711504	3	WASHER-FLAT 1/4 SS
39	711505	5	WASHER-FLAT 1/4 ZP
40	711516	2	WASHER-FLAT 5/16 X 1.25 X .05 ZP
41	711545	2	WASHER-LOCK 5/16 SPLIT ZP
42	712541	4	SCR-THMS 1/4-20 X 1.00 SS
43	712758	3	WASHER-LOCK 1/4 SPLIT SS
44	713002	2	SCR-HH 1/4-20 X .75 ZP 5
45	731006	1	SCR-HH M6-1.00 X 25 ZP CLASS 8.8
46	740159	1	CONNECTOR-SB175 RED HOUSING
47	740164-1	1	CABLE ASSY- BATTERY JUMPER, 4G RED 12"
47a	748482		BATTERY CABLE - JUMPER (AGM BATTERY MODELS)
48	740167	1	BATTERY CABLE, RED 4AWG SB175
48a	748480		BATTERY CABLE - POSITIVE (AGM BATTERY MODELS)
49	740168	1	BATTERY CABLE, BLACK 4AWG SB175
49a	748481		BATTERY CABLE - NEGATIVE (AGM BATTERY MODELS)
50	740827-1	1	ACTUATOR - 40MM STROKE- 750 N FORCE TERM
51	741299-2	1	WATER VALVE ASSY, 24 VDC
52	748200	1	HORN / BACK UP ALARM, 9-48VDC
53	748507	1	PEDAL ASSY, THROTTLE, FLOOR MTG 25°, IEC
54	833374	2	PIN-HAIRPIN COTTER 3/8
55	956705	2	BATTERY, 12V 210AH
55a	956748	2	BATTERY. 12V 234AH, AGM (AGM MODELS)
56	3300526	2	BUMPER-RUBBER 1/4 ID X 1/8 THK
57	3300535	2	CLAMP-HOSE 1.00 NOM
58	3301158	5	CLAMP-CABLE 11/16" DIA
59	3315535	1	FTG-ELBOW 90 1/2 MPT X 1/2 HB PP
60	3400117	1	PIN-CLEVIS 3/8 x 1.125 ZP
61	3400125	1	RING-RUE 3/8
62	11038064	1	BLT-HH M6 X 1.0 X 12 STL ZD 8.8 DIN 933
63	12310033	1	WASHER-FLAT M6.4 X 12 X 1.6 ZP

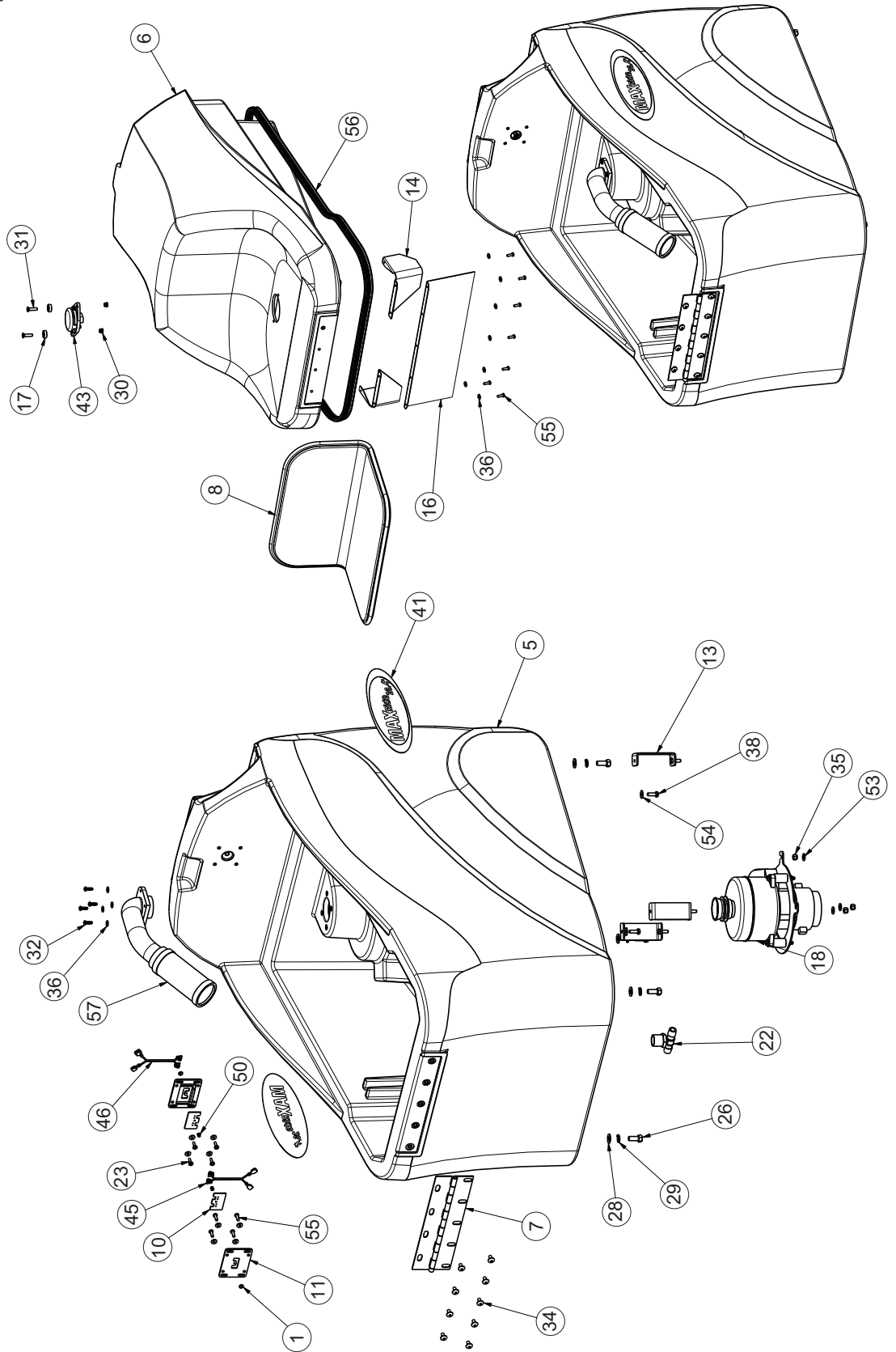
Tower Group



Rev C

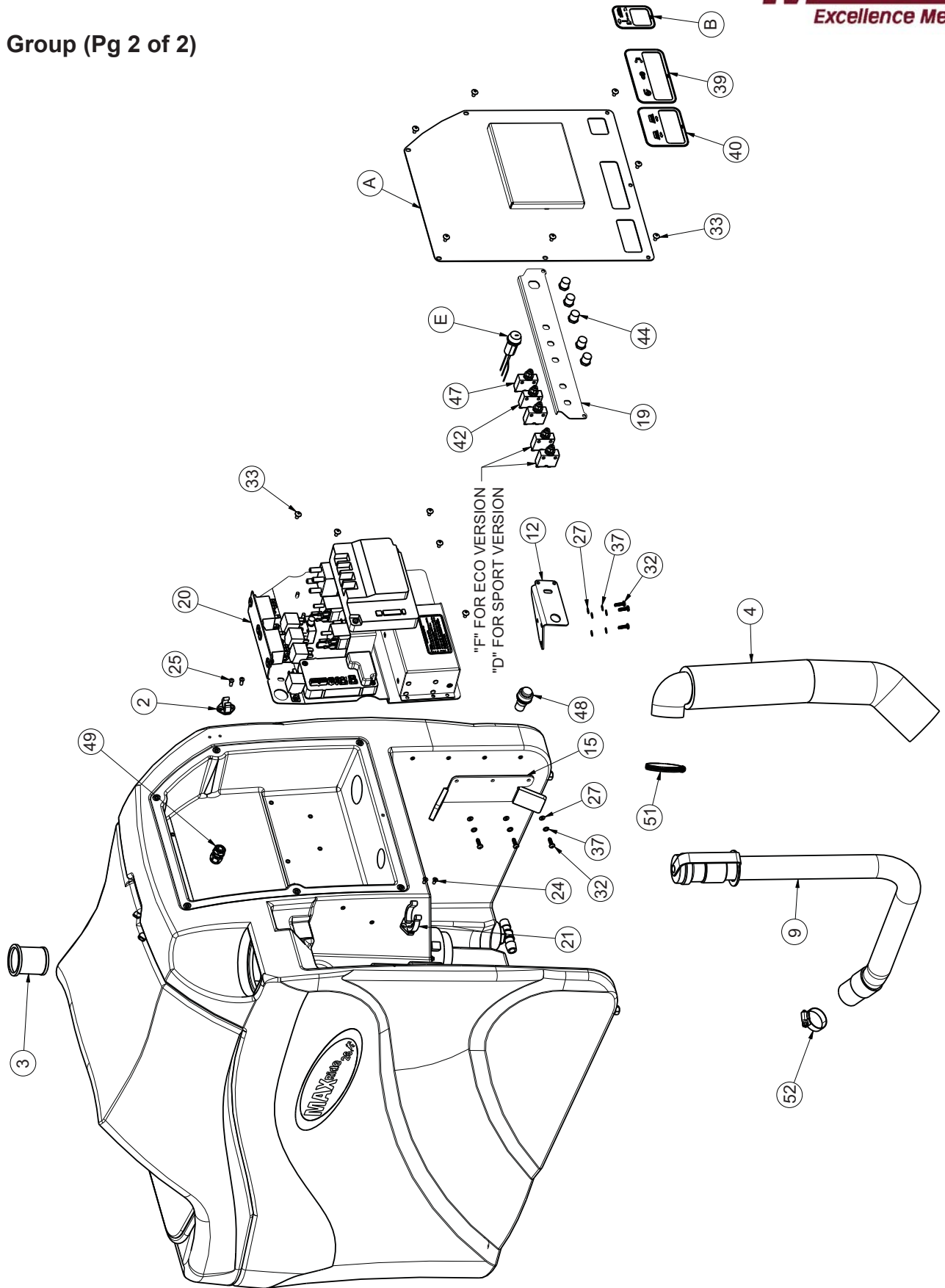
Tower Group BOM

BILL OF MATERIAL - 246164			
ITEM	PART NO.	QTY	DESCRIPTION
1	245416	1	BALL BEARING 35MM X 62MM OD X 14MM W
2	245445-1	1	CHAIN - ROLLER #35 - 45P
3	245583	2	SPACER, .266 B, .313 OD, .313 T
4	246022	1	WELDMENT, SPINDLE, STEERING
5	246025	1	WELDMENT, BRKT, TENSION, CHAIN, STEERING
6	246028	1	SPROCKET, ANSI 35, 10 TOOTH, 0.375P, 0.6
7	246029	1	SPROCKET, ANSI 35, 35 TOOTH, 0.375P, 1.0
8	246030	2	BEARING, BALL, 0.375B 0.875D, SEALED
9	246031	1	SPACER, 1.75D 1.44B 1.12L, STL
10	246032	1	PIVOT, STOP, STEERING
11	246033	1	SHAFT, STEERING, LOWER
12	246034	1	GUIDE, TENSION, CHAIN
13	246035	1	KEY, SQ, 0.25 X 0.25 X 1.50
14	246036	3	KEY, SQ, 0.18 X 0.18 X 0.75
15	246037	1	SHAFT, STEERING, UPPER
16	246038	2	RING, RTNR, 0.971D 0.046T, STL
17	246039	1	U-JOINT, 25DEG, 0.75B 1.06D 3.75L
18	246040	1	WELDMENT, TOWER, STEERING
19	246042	1	PLATE, BEARING, STEERING
20	246067	1	BLT-SHOULDER .375 X .312 LG BLK OX
21	711207	2	SCR-HH 1/4-20 X 1.00 ZP GR 5
22	711241	1	SCR-HH 3/8-16 X .75 ZP GR 5
23	711373	5	NUT-NYLOC 1/4-20 ZP
24	711505	13	WASHER-FLAT 1/4 ZP
25	711506	4	WASHER-FLAT 5/16 X .688 ZP
26	711517	2	WASHER-FLAT .77 X 1.37 X .03
27	711544	2	WASHER-LOCK 1/4 SPLIT ZP
28	713002	7	SCR-HH 1/4-20 X .75 ZP 5
29	713003	2	SCR-HH 1/4-20 X 1.00 ZP GR 5
30	748523-1	1	WHEEL DRIVE, 24V 300W
31	809148	3	RET RING-E TYPE .75
32	832554	2	BUSHING-FLG .7505 X 1.437 X .625 BRNZ
33	833292	1	CHAIN MASTER LINK #35
34	3301158	2	CLAMP-CABLE 11/16" DIA
35	3305667	1	BEARING-MAIN BROOM
36	3400092	2	WASHER-FENDER 3/8 X 1.50 ZP
37	3401570-7W	2	WASHER-NORD-LOCK, 1/4, 0.53 OD, ZP
38	11038247	4	SCR-HH M8-1.25 X 25 ZP CLASS 8.8



Rev A

Tank Group (Pg 2 of 2)



Rev B

Tank Group BOM (Pg 1 of 2)

BILL OF MATERIAL - 246576			
ITEM	PART NO.	QTY	DESCRIPTION
1	950-4-S	2	BACKUP PLATE - RIVET
2	172065	1	CLIP, FOR 1/2" ID HOSE
3	172159	1	FILTER, FILL PORT, ES1720
4	241049	1	VAC MOTOR MUFFLER, SCV 24/26
5	245004	1	TANK, SOLUTION & RECOVERY ER26-V
6	245005	1	LID, W/ SEAT, TANK, ER26-V
7	245422	1	HINGE, STEEL, 11.38" LONG
8	245444	1	SEAT-CUSHIONED, SEWN SEAT & BACK
9	245452	1	HOSE-DRAIN W/ TWIST VALVE 1.50" ID
10	245453	2	PLATE - INSERT, INTERCONNECT
11	245456	2	PLATE - BASE, INTERCONNECT
12	245660	1	BRACKET - MTG, REAR COVER LATCH & ELEC
13	245663	3	WELDMENT, VAC MOTOR PILLAR
14	245766	2	SKIRT-DRIP, LID, END PIECE
15	245794	1	HOLDER - CORD, W/ SOFT CAPS, BATT CHARGR
16	245805	1	SKIRT - DRIP, LID, CENTER 26"
17	245817	2	SPACER, .39 ID X .75 OD X .25 T, PVC
18	245844	1	ASSY, VACUUM & HOUSING
19	245907	1	BRACKET, BREAKER MOUNT, 26"
20	246167	1	ASSY, ELECTRICAL PANEL, 20/26
21	260579	1	TOOL CLIP, 1.5" HOSE
22	342440	1	FITTING, TEE 3/4MPT 1/2BARB
23	710130	4	SCR-MC 8-32 X .62 NICKEL
24	710528	2	SCR-MC 8-32 X .37 FH - BR
25	711163	2	SCR-HI/LO #10-16 X 1/2
26	711246	4	BLT-HH 3/8-16 X .87 STL Z
27	711502	6	WASHER-FLAT #8 ZP
28	711515	4	WSR-FLAT .406 X .812 X .0625
29	711546	4	WSR-HELICAL 3/8
30	711962	2	NUT, 1/4-20, HIGH-TORQUE 12 POINT FLANGE
31	712153	2	SC-SHCS, 1/4-20 x 1.00 IN SS
32	712536	10	SCR-MC 10-24 X .62 TH SS
33	712540	12	SCR-MC TR HD 10-24 X .37 SS
34	712560	9	SCR-MCH 1/4-20 X .50 SS NYL
35	712667	3	NUT-NYLOC 1/4-20 SS
36	712764	19	WASHER-FLAT #10 SS
37	712770	6	WSR INT LOCK #10A SS

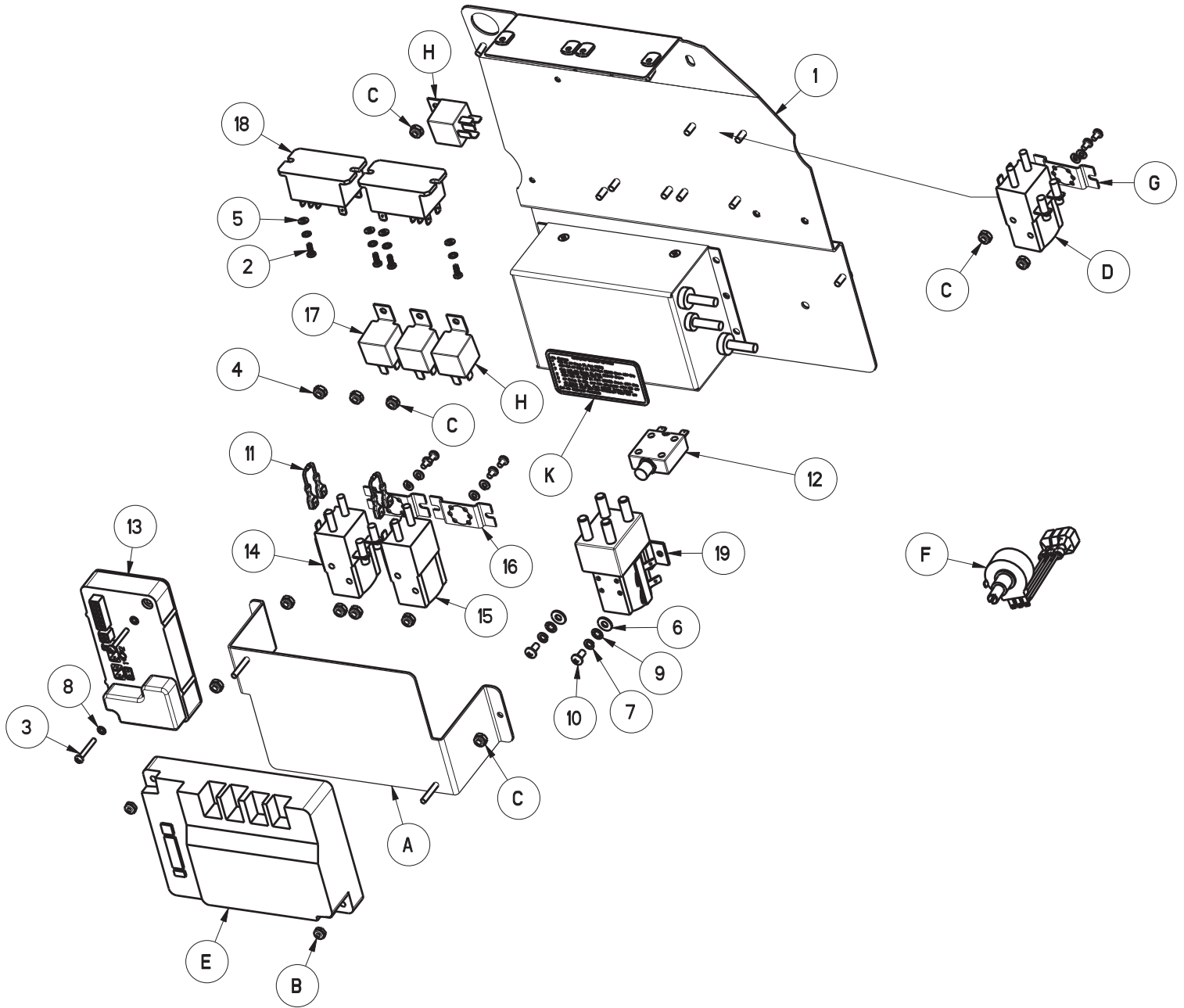
Tank Group BOM (Pg 2 of 2)

BILL OF MATERIAL - 246576			
ITEM	PART NO.	QTY	DESCRIPTION
38	713002	3	SCR-HH 1/4-20 X .75 ZP 5
39	715535	1	DECAL, VAC, DRIVE, MOTOR-POWER
40	715536	1	DECAL, BRUSHES L-R
41	715978	2	DECAL, MAIN OVAL MAX-RIDE 26, ER V-26
42	740247	2	CIRCUIT BREAKER-30AMP PUSH BUTTON
43	740601	1	SWITCH, SEAT, BOLT MOUNT
44	742748	5	CIRCUIT BREAKER BOOT
45	747349	1	WIRE ASSY, SEAT SWITCH
46	747350	1	WIRE ASSY, SEAT SW CONN
47	747609	1	CIRCUIT BREAKER-4.0AMP PUSHBUT
48	747614	1	INDICATOR, BATTERY CHARGE STATUS
49	747689	1	STRAIN RELIEF, CABLE DIA. .181-.312 #3210
50	827666	2	RIVET-POP 1/8 DOME HD, BLK ALUM BODY
51	3044112	1	CLAMP - HOSE, DIAM. 2.5" SS
52	3303255	1	CLAMP-HOSE 1 3/4 NOM.
53	3400089	3	WASHER 1/4 ID .63 OD X .065 THK
54	3400383	3	WASHER CONICAL SPRING 1/4
55	3401449	11	SCR-HI/LO SS 10-16X3/4 PAN HD PHL.
56	25510512	1	GASKET, RUBBER BLADE, PRESS IN
57	97118731	1	FILTER UNIT, SCREENED FLOAT

ADDITIONAL ECO MODEL PARTS			
ITEM	PART NO.	QTY	DESCRIPTION
A	245911	1	COVER, ELEC BOX, ECO 26"
F	740221	2	CIRCUIT BREAKER, 30 AMP

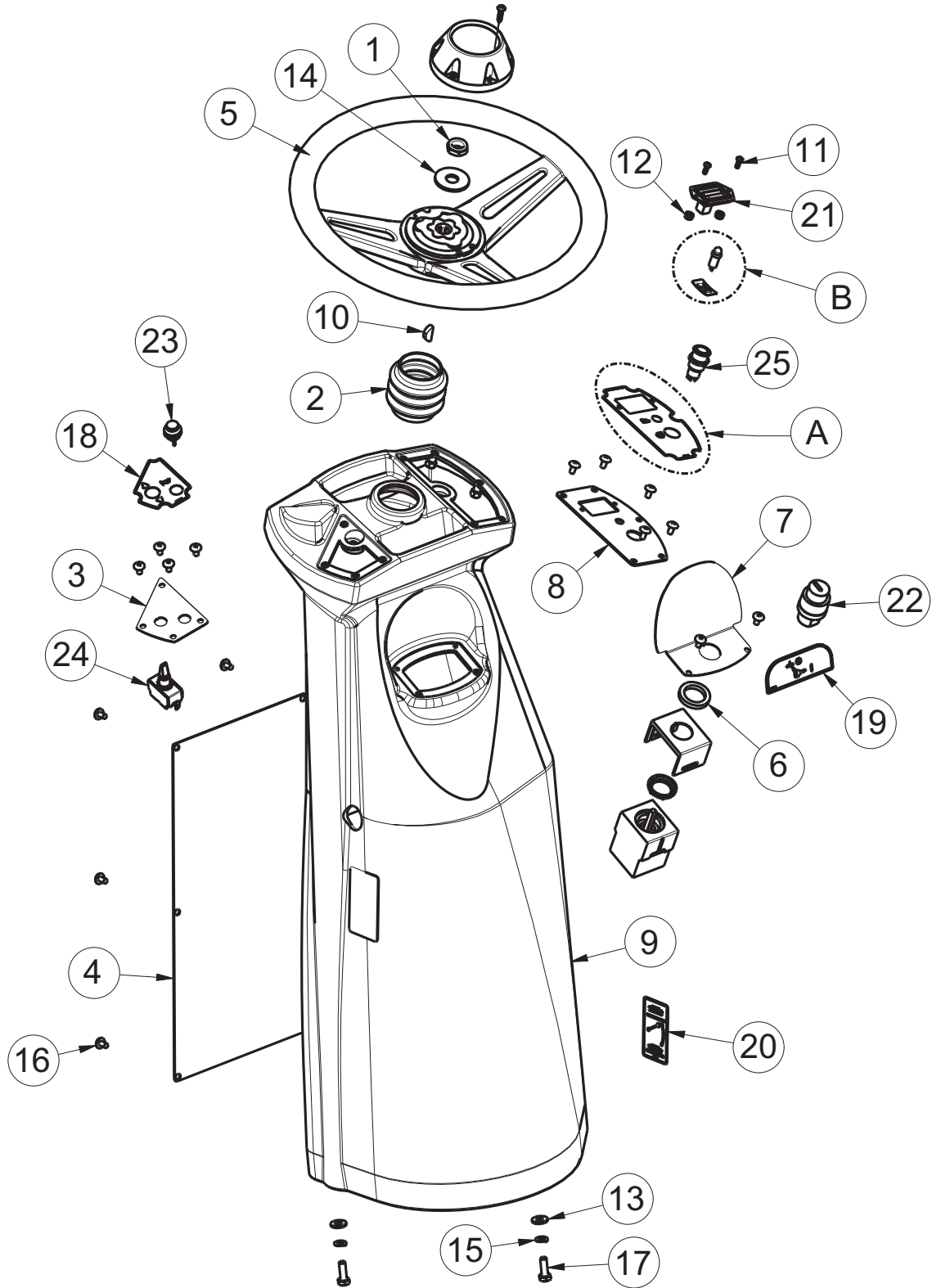
ADDITIONAL SPORT MODEL PARTS			
ITEM	PART NO.	QTY	DESCRIPTION
A	245910	1	COVER, ELEC BOX, SPORT 26"
B	715533	1	DECAL, 2 POSITION SWITCH, BRUSH MOTOR
D	748904	2	BREAKER CIRCUIT 40 AMP 10-32 SCREWS 90 D
E	747717	1	KEYSWITCH ASSY, 2 POS, ON/OFF

Electrical Panel Assembly



Rev F

BILL OF MATERIAL - 246167			
ITEM	PART NO.	QTY	DESCRIPTION
1	245851	1	PANEL, ELEC CHASSIS, 20/26
2	710203	4	SCR-MC 6-32 X .37 ST PL PAN HD
3	710307	2	SCR-MC 6-32 X 1.0 ST PL PAN HD
4	711350	8	NUT-NYLOC 10-32
5	711501	4	WASHER-FLAT #6 X .375 ZP
6	711503	2	WASHER-FLAT #10 X .50 ZP
7	711543	2	WASHER-LOCK #10 SPLIT ZP
8	711551	6	WASHER-INT LOCK #6
9	711553	2	WASHER-INT TOOTH LOCK #10 ZP
10	712810	2	SCR-MC 10-24 X .37 ST PL
11	740482	2	DIODE ASY, 1N4007 W/PIGGY
12	740703	1	CIRCUIT BREAKER, 1 AMP
13	747389	1	I-DRIVE,24V 70A PM MOTOR CONTROL
14	747615	1	RELAY, 24VDC 2 POLE NO/NC 80A
15	747616	1	RELAY, 24VDC 1 POLE NO 80A
16	747619	2	BRACKET, RELAY 747615 & 747616
17	748511	2	RELAY, SPDT, MAX RIDE
18	748524	2	RELAY, DPDT, 40A
19	90331026	1	RELAY, 24VDC 2 POLE 100A (HAKO)
ADDITIONAL ECO MODEL PARTS			
ITEM	PART NO.	QTY	DESCRIPTION
C	711350	3	NUT-NYLOC 10-32 ZP
D	747615	1	RELAY, 24VDC 2 POLE NO/NC 80A
G	747619	1	BRACKET, RELAY 747615 & 747616
H	748511	1	RELAY, SPDT, MAX RIDE
G	747252	1	MR26 ECO ELECT GROUP GEN 2
K	957936	1	LABEL, FOR CHARGERS 957764
ADDITIONAL SPORT MODEL PARTS			
ITEM	PART NO.	QTY	DESCRIPTION
A	245901	1	BRACKET - MTG, I-DRIVE SPORT
B	711026	2	NUT-NYLOC 8-32 SS
C	711350	6	NUT-NYLOC 10-32 ZP
D	747615	1	RELAY, 24VDC 2 POLE NO/NC 80A
E	747359	1	I-DRIVE, 180 AMP
F	747388	1	POTENTIOMETER WIRE ASSY
G	747619	1	BRACKET, RELAY 747615 & 747616
H	748511	2	RELAY, SPDT, MAX RIDE
J	747254	1	MR26 SPORT ELECT GROUP GEN 2
K	957936	1	LABEL, FOR CHARGERS 957764

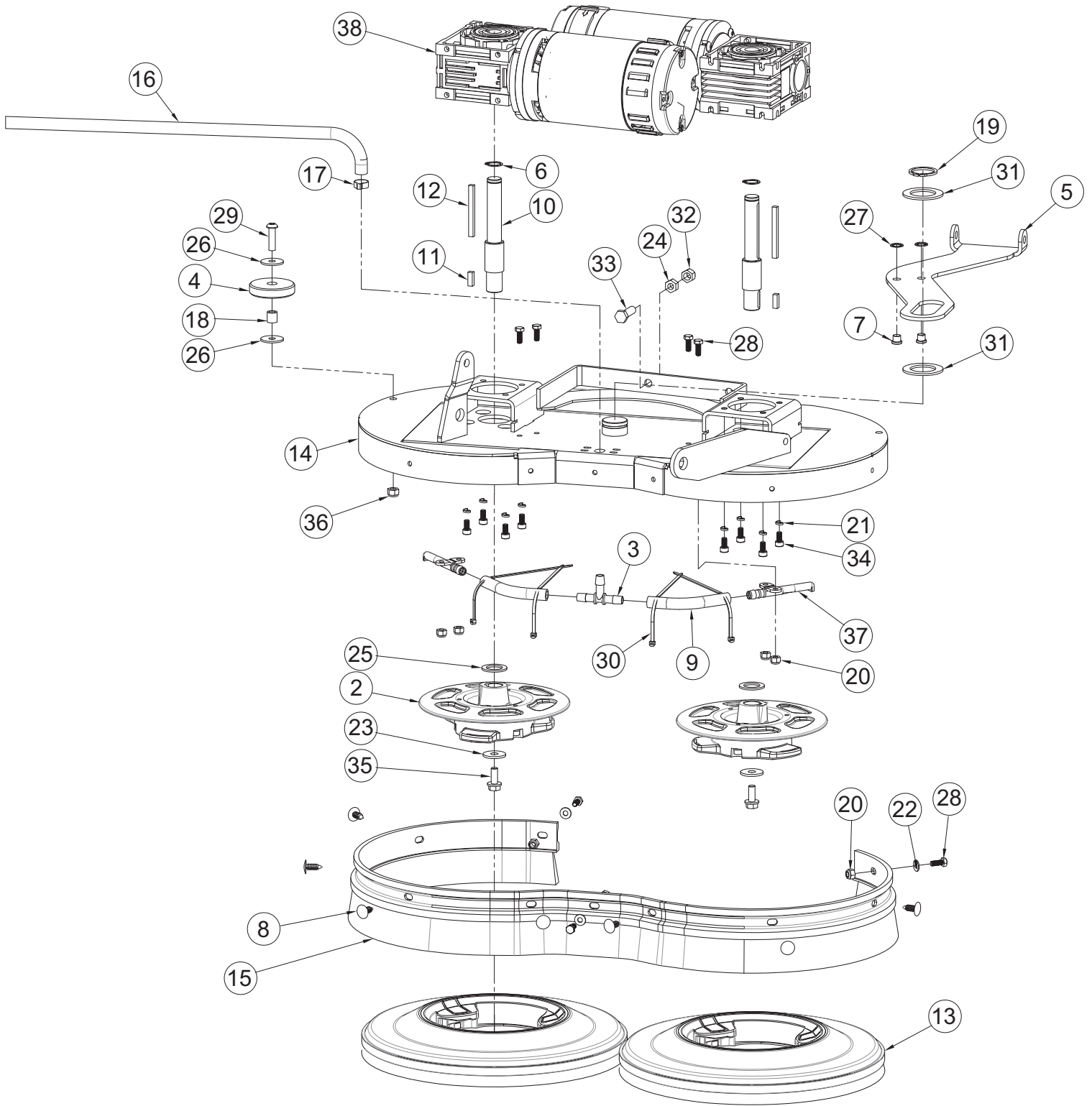


Rev C

Steering Column Group BOM

BILL OF MATERIAL - 246166			
ITEM	PART NO.	QTY	DESCRIPTION
1	368-816	1	HALF NUT NYLOC 1/2-20
2	241224	1	BOOT - SHAFT, SCV 2426
3	245028	1	PANEL-CONTROL, LH FWD-REV SELECTOR
4	245156	1	PANEL-FRONT STEERING CONSOLE
5	245345	1	STEERING WHEEL
6	245802	1	SPACER, PVC, KEY SWITCH
7	245840	1	PANEL, CENTER, KEY SWITCH
8	245846	1	PANEL-CONTROL RH, FUNCTION SELECT
9	246090	1	CONSOLE, STEERING, ER20/26 -V
10	383277	1	KEY WOODRUFF 3/16 X 3/4
11	710203	2	SCR-MC 6-32 X .37 ST PL PAN HD
12	711371	2	NUT-NYLOC 6-32 ZP
13	711505	2	WASHER-FLAT 1/4 ZP
14	711510	1	WSR FLAT .5 X 1.37 X .100
15	711544	2	WSR-HELICAL 1/4
16	712540	17	SCR-MC TR HD 10-24 X .37 SS
17	713002	2	SCR-HH 1/4-20 X .75 ZP 5
18	715762	1	DECAL-FWD-REV SELECTOR
19	715778	1	DECAL, CENTER PANEL, KEY SWITCH
20	715781	1	DECAL, BRUSH LIFT, 20/26
21	747011	1	BATTERY GAUGE, TRUCHARGE
22	747387	1	KEYSWITCH ASSY
23	748047	1	SWITCH, PUSH BUTTON (HORN SCV 36V)
24	748800	1	SWITCH-TOGGLE G SERIES
25	748804	1	SWITCH, PUSH BUTTON, ORANGE LED
ADDITIONAL ECO MODEL PARTS			
A	715779	1	DECAL, FUNCTION SELECTOR, ECO
ADDITIONAL SPORT MODEL PARTS			
A	715780	1	DECAL, FUNCTION SELECTOR, SPORT
B	747718	1	LAMP ASSY, LED AMBER, 24V
	747718-2		CLIP, TINNERMAN

Scrub Head Group

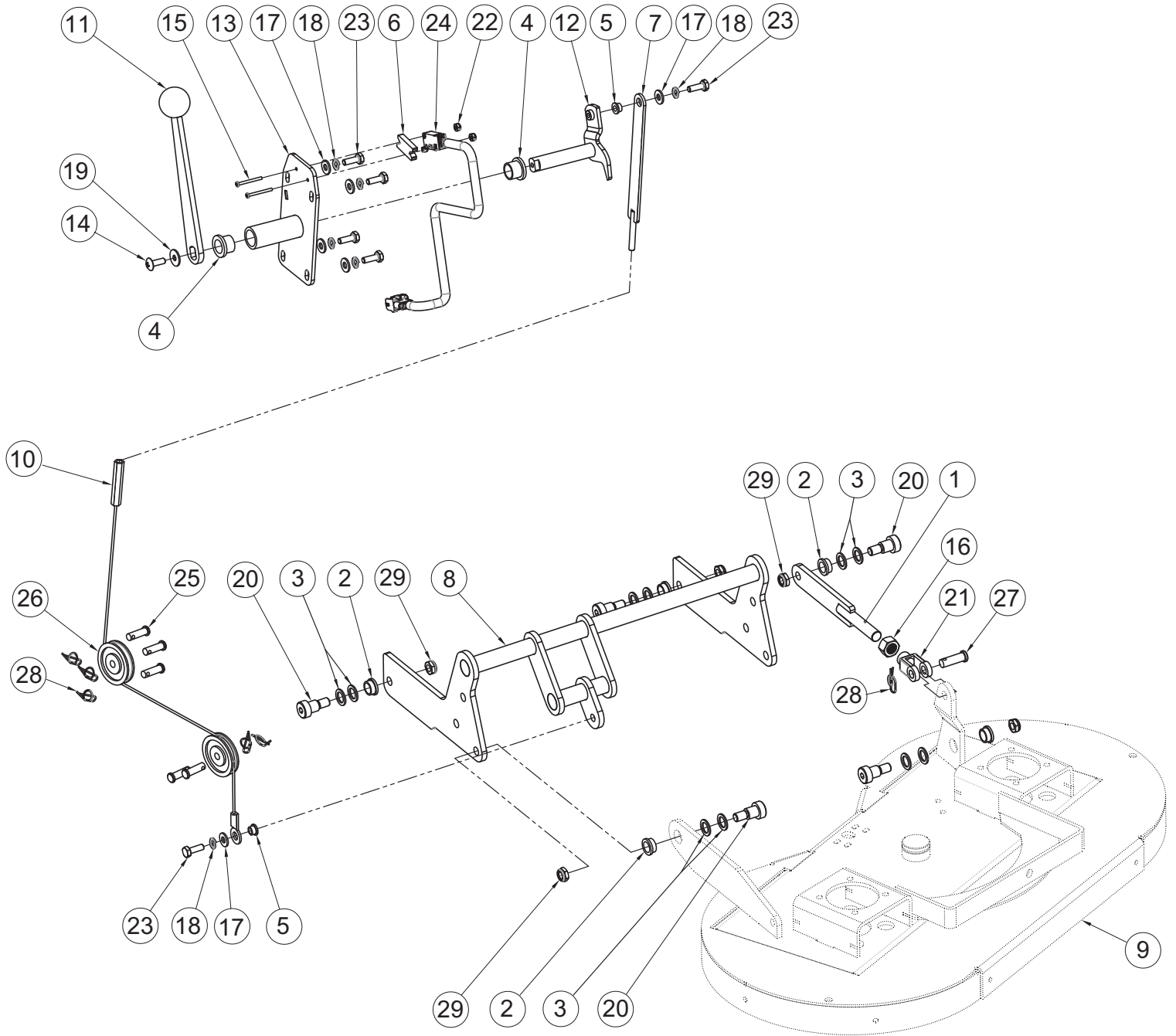


Rev A

Scrub Head Group BOM

BILL OF MATERIAL - 246573			
ITEM	PART NO.	QTY	DESCRIPTION
1	712	1	PERMABOND-MM115 50ML BLUE
2	172510	2	HUB ASSEMBLY, DISC DECK
3	241726	1	FTG-TEE 3/8 HB X 3/8 HB X 3/8 HB NYLON
4	245339	1	ROLLER- SQUEEGEE
5	245412	1	BAR, SQUEEGEE PIVOT
6	245468	2	RET RING-EXT .687 BLK OXIDE
7	245516	2	SLIDE
8	245518	7	FASTENER, PLASTIC TREE
9	245519	2	HOSE-NYL REINFORCED 3/8 ID, 4"
10	245591	2	SHAFT, BRUSH DRIVE
11	245811	2	KEY-6MM X 6MM X .700 ZINC
12	245812	2	KEY-6mm X 6mm X 2.625
13	245818-2	2	PAD DRIVER, 13"
14	246542	1	WELDMENT, SCRUB HEAD, 26
15	246646	1	SKIRT, SCRUB HEAD, 26
16	246652	1	TUBING, .38 ID X .11 WAL BRA VIN 29.5 IN
17	452037	1	CLAMP-CRIMP 170R SS
18	600114	1	SPACER, .328 B .498 OD .500 ,SS
19	600576	1	RET RING-EXT 1.25 HD
20	600933	7	NUT-NYLOC M6-1.00 SS
21	711421	8	WASHER-LOCK 1/4 SPLIT, HIGH-COLLAR, SS
22	711504	3	WASHER-FLAT 1/4 SS
23	711855	2	WASHER-FENDER 3/8 X 1.12 X .10 ZP HARD
24	712695	1	NUT-HEX 3/8-16 SS
25	717025	2	WASHER-FLAT 13/16 X 1.25 X .08 ZP
26	730526	2	WASHER-FENDER M8 X 24 SS
27	730844	2	RET RING-EXT .375 SS SELF LOCKING
28	730934	7	SCR-HH M6-1.00 X 16 SS FULL THREAD
29	770536	1	SCR-BHSCS M8-1.25 X 30 SS
30	828062	4	CABLE TIE LARGE
31	3337628	2	WASHER FLAT 1.28 ID x 2.00 OD ZP
32	3400340	1	NUT-NYLOC 3/8-16 SS
33	3402010	1	SCR-HEX 3/8-16 X 1.25 SS
34	3402054	8	SCR-SHCS M6-1.0 X 12 ZP
35	11717203	2	BLT-HH FLG M8X1.25X20 PRECOTE, ZD 10.9
36	12040259	1	NUT-NYLOC M8 X 1.25 SS
37	90311663	2	FITTING, WATER NOZZLE W/ MOUNT HOLES
38	245808	1	GEAR - MOTOR, BRUSH, 24VDC 400W, AMER (ECO MODELS)
	245231		GEAR-MOTOR, BRUSH, 24VDC 600W, AMER (SPORT MODELS)

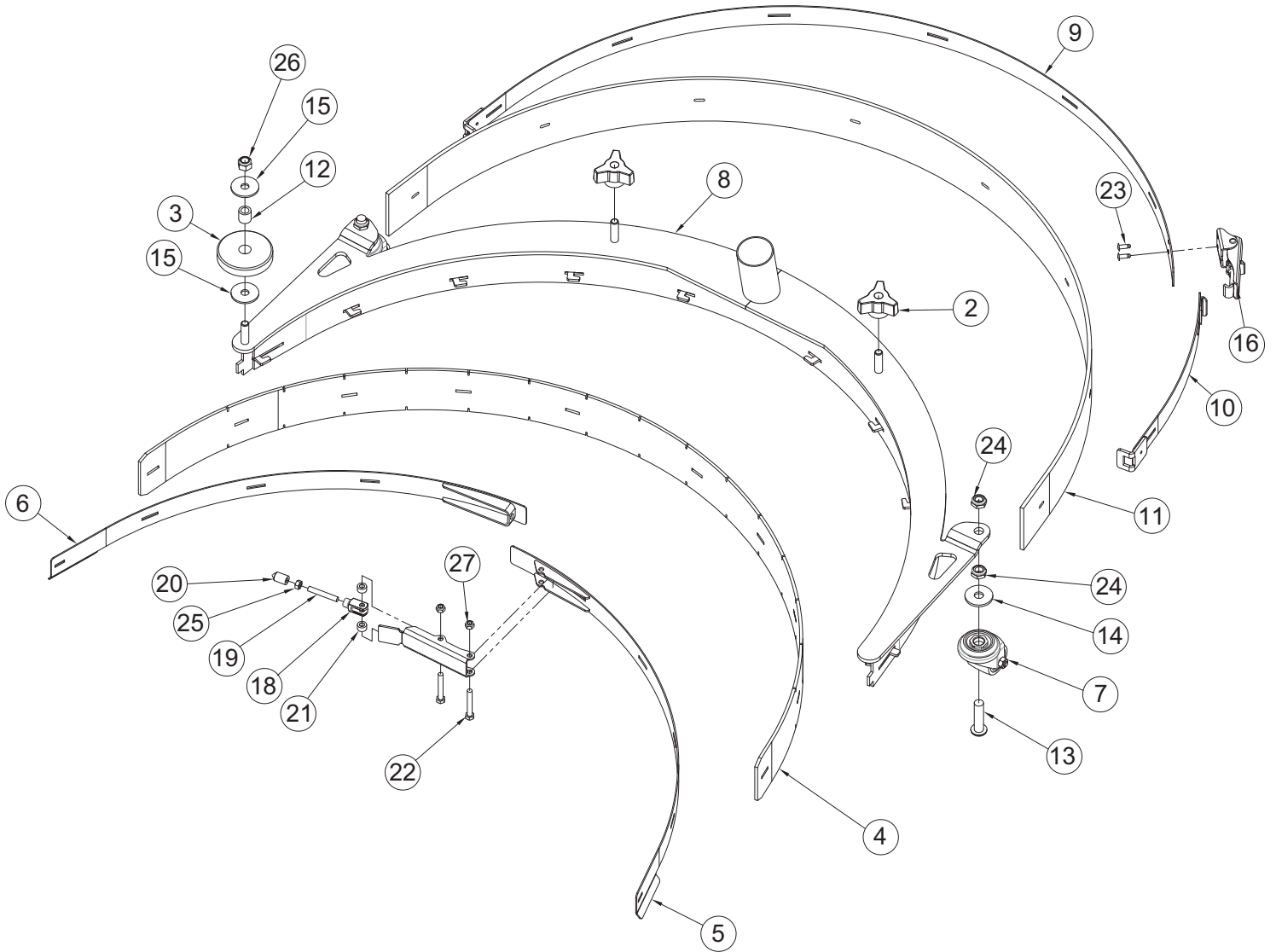
Scrub Head Lift Group



Rev B

Scrub Head Lift Group BOM

BILL OF MATERIAL - 246574			
ITEM	PART NO.	QTY	DESCRIPTION
1	245575	1	WELDMENT, DECK ADJ LINK 26
2	245806	5	BUSHING-FLG, .50 x .62 x .31 LG OILITE
3	246064	10	WASHER-FLAT 1/2 X .75 X .062 NYLON
4	246078	2	BUSHING, FLANGED 5/8" SHAFT DIA.
5	246079	2	BUSHING, FLANGED 1/4" SHAFT DIA.
6	246089	1	BRACKET, SWITCH
7	246097	1	WELD, DECK LIFT END
8	246541	1	WELDMENT, TRAILING ARM, 26
9	246542	1	WELDMENT, SCRUB HEAD, 26
10	246755	1	CABLE, DECK LIFT
11	246736	1	WELDMENT, HEAD LIFT, HANDLE
12	246640	1	WELDMENT, HEAD LIFT SHAFT
13	246647	1	WELDMENT, HEAD LIFT
14	246730	1	SCR-BHSCS 1/4-20 X .75 BLK OX NYL PATCH
15	710495	2	SCR-PHMS 4-40 X 1.25 ZP
16	711337	1	NUT-HEX 1/2-20 ZP
17	711505	6	WASHER-FLAT 1/4 ZP
18	711544	6	WASHER-LOCK 1/4 SPLIT ZP
19	246731	1	WASHER-FLAT, .25 X .75 X .08, HARDENED
20	712099PLT	5	BLT-SHOULDER 1/2 X 1/2 LG X 3/8-16
21	712265	1	CLEVIS-YOKE, 1/2-20 WITH .375 PIN
22	712348	2	NUT-NYLOC 4-40 SS
23	713002	6	SCR-HH 1/4-20 X .75 ZP 5
24	747603-2	1	SWITCH ASY, MICRO ROLLER W/PACK/CONDUIT
25	881002	5	PIN-CLEVIS 5/16 X 1.00 ZINC
26	3300368	2	PULLEY-PLASTIC 2" x .25" GROOVE
27	3400117	1	PIN-CLEVIS 3/8 x 1.125 ZP
28	3400125	6	RING-RUE 3/8
29	3401028	5	NUT-JAM 3/8-16 ZP NYLOC

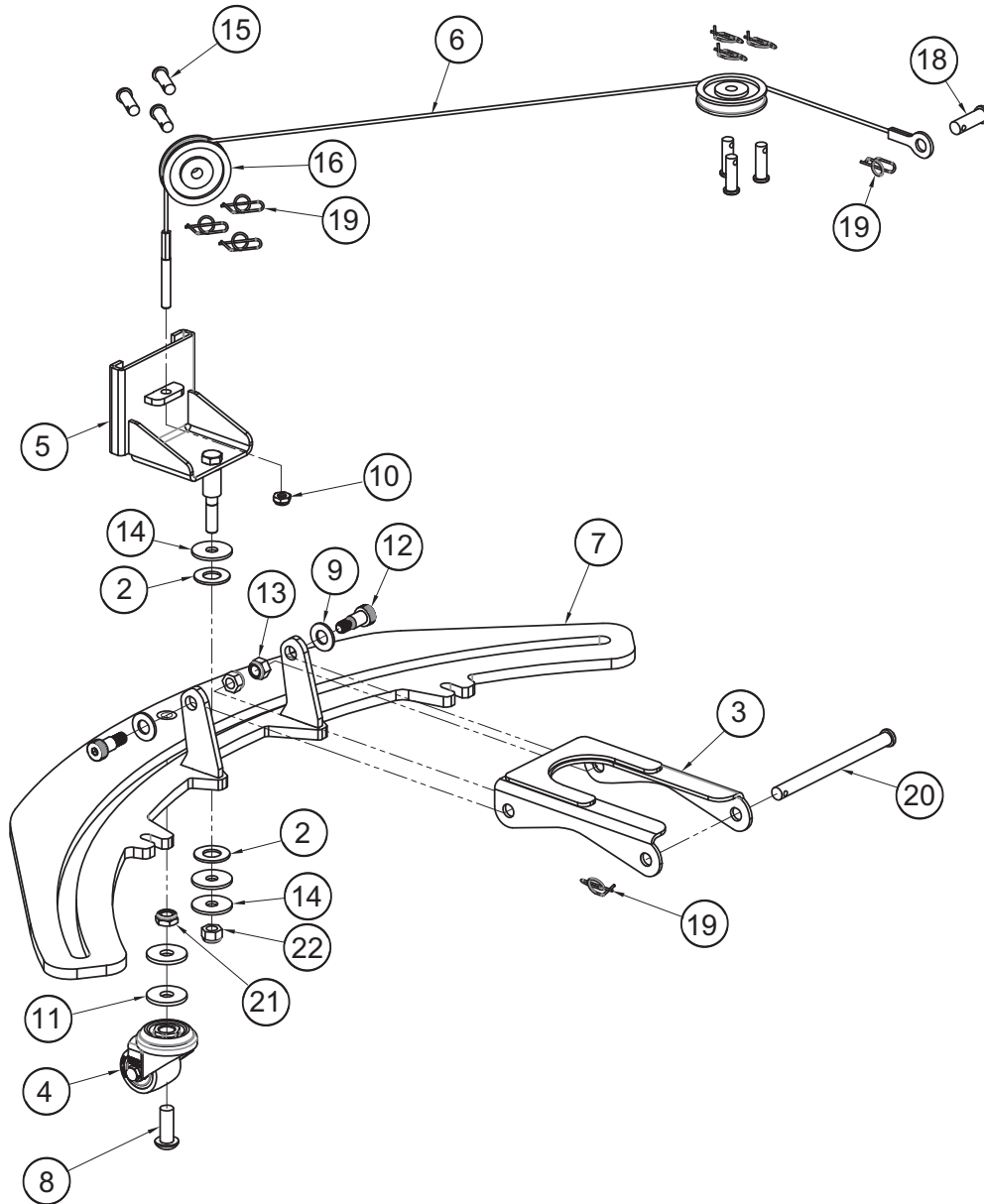


Rev A

Squeegee Group BOM

BILL OF MATERIAL - 246572			
ITEM	PART NO.	QTY	DESCRIPTION
1	712	1	PERMABOND-MM115 50ML BLUE
2	210118	2	KNOB-3 SIDED 5/16 NYLOC
3	245339	1	ROLLER- SQUEEGEE
4	245392-1	1	SQUEEGEE BLADE, 26 INNER, PRIMOTHANE
5	245399	1	WELDMENT, INNER BAND A 26
6	245402	1	WELDMENT, INNER BAND B 26
7	245563	2	CASTER
8	246544	1	WELDMENT, SQUEEGEE, 26
9	246546	1	WELDMENT, OUTER BAND LONG
10	246547	1	WELDMENT, OUTER BAND SHORT
11	246632-1	1	SQUEEGEE BLADE, 26 OUTER, PRIMOTHANE
12	600114	1	SPACER, .328 B .498 OD .500 ,SS
13	710987	2	SCR-BHSCS 3/8-16 X 1.50 ZP
14	711855	2	WASHER-FENDER 3/8 X 1.12 X .10 ZP HARD
15	730526	2	WASHER-FENDER M8 X 24 SS
16	730652	1	LATCH, UNDER CENTER
17	730780	1	LATCH, BODY SS
18	730781	1	CLEVIS, M5 - 0.8
19	730782	1	ROD, M5 - 0.8
20	730783	1	ROD, NOSE
21	730784	2	SPACER, .203 B .375 OD .210 T
22	730802	2	SCR-HH M5-0.8 X 35 SS FULL THREAD
23	731293	2	RIVET-BLIND 5/32 .187 GRIP SS
24	3401028	4	NUT-JAM 3/8-16 ZP NYLOC
25	12022430	1	NUT-HEX M5 X 0.8 316SS DIN 934
26	12040259	1	NUT-NYLOC M8 X 1.25 SS
27	12040283	2	NUT-NYLOC M5 X 0.8 304SS DIN985

Squeegee Lift Group



Rev A

Squeegee Lift Group BOM

BILL OF MATERIAL - 246571			
ITEM	PART NO.	QTY	DESCRIPTION
1	245309	1	SPACER, NYLON, .344 B .500 OD .813 T
2	245310	2	WASHER, NYLON, .510 B 1.00 OD .062 T
3	245377	1	LINK, SQUEEGEE PIVOT 26"
4	245563	1	CASTER
5	246545	1	WELDMENT, SLIDER
6	246630	1	CABLE, 27.25
7	246633	1	WELDMENT, SQU MNT, 26
8	710986	1	SCR-BHSCS 3/8-16 X 1.00 ZP
9	711515	2	WASHER-FLAT 3/8 X .812 X .0625 ZP
10	711688	1	NUT-JAM 1/4-20 NYLOC SS
11	711855	2	WASHER-FENDER 3/8 X 1.12 X .10 ZP HARD
12	712165	2	BLT-SHLDR 3/8 X.50 LX5/16-18 GR18-8 SS
13	712683	2	NUT-NYLOC 5/16-18 SS
14	730526	3	WASHER-FENDER M8 X 24 SS
15	881002	6	PIN-CLEVIS 5/16 X 1.00 ZINC
16	3300368	2	PULLEY-PLASTIC 2" x .25" GROOVE
17	3335273	1	SPACER-.32 OD X .499 OD X .31 LG
18	3400117	1	PIN-CLEVIS 3/8 x 1.125 ZP
19	3400125	8	RING-RUE 3/8
20	3400762	1	PIN-CLEVIS 3/8 X 4.75 ZP
21	3401028	1	NUT-JAM 3/8-16 ZP NYLOC
22	12040259	1	NUT-NYLOC M8 X 1.25 SS

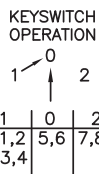
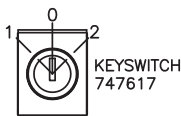
Wiring Diagrams - ECO Models

1

PAGE LAYOUT

1	2	3	4
5	6	7	8

PAGES GO TOGETHER AS SHOWN TO SEE THE ENTIRE SCHEMATIC AS ONE.



DIAGNOSTIC CODES ARE MACHINE SPECIFIC THIS IS AN EXAMPLE OF POSSIBLE CODES.

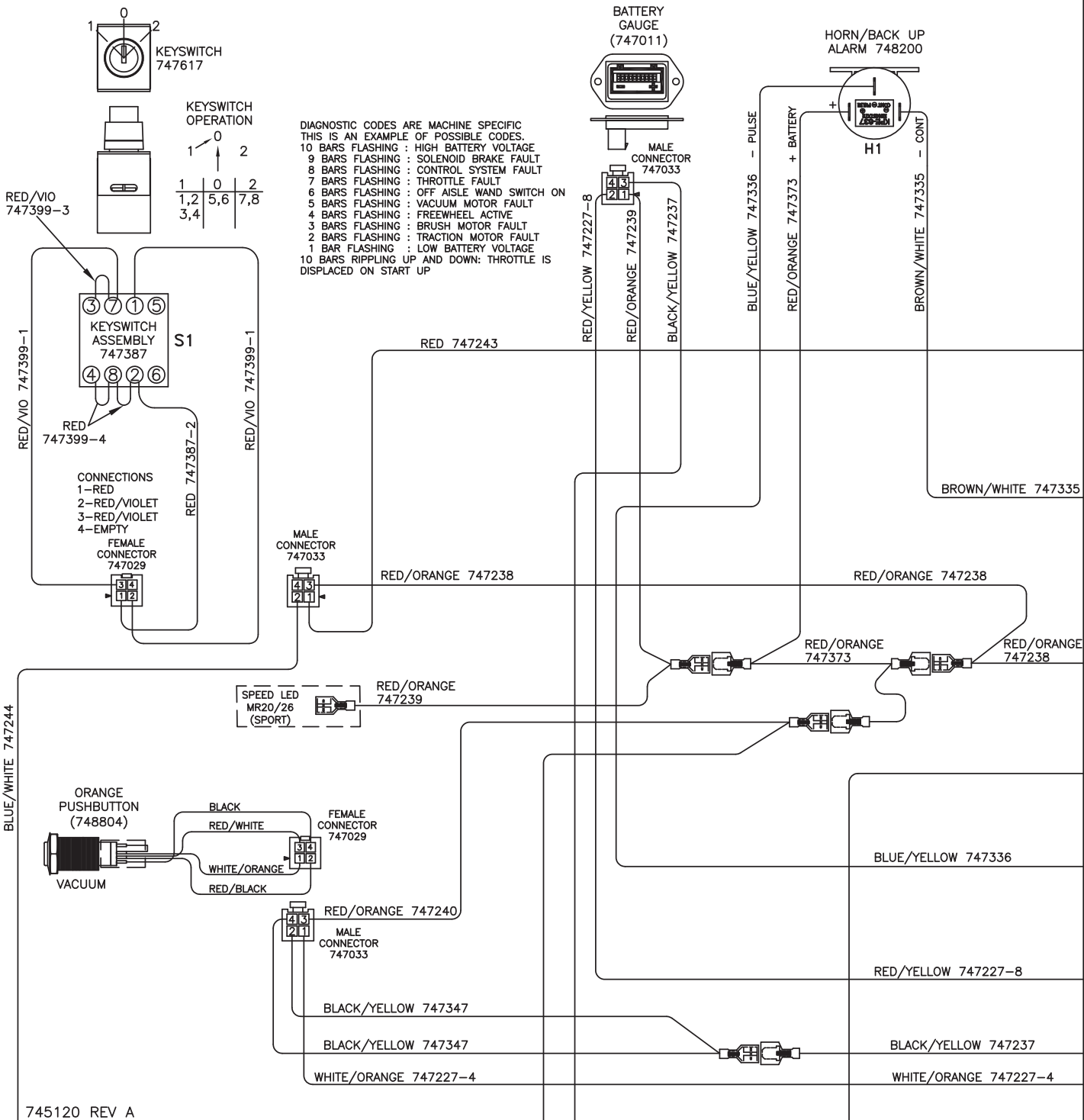
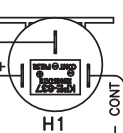
- 10 BARS FLASHING : HIGH BATTERY VOLTAGE
- 9 BARS FLASHING : SOLENOID BRAKE FAULT
- 8 BARS FLASHING : CONTROL SYSTEM FAULT
- 7 BARS FLASHING : THROTTLE FAULT
- 6 BARS FLASHING : OFF AISLE WAND SWITCH ON
- 5 BARS FLASHING : VACUUM MOTOR FAULT
- 4 BARS FLASHING : FREEWHEEL ACTIVE
- 3 BARS FLASHING : BRUSH MOTOR FAULT
- 2 BARS FLASHING : TRACTION MOTOR FAULT
- 1 BAR FLASHING : LOW BATTERY VOLTAGE
- 10 BARS RIPPLING UP AND DOWN: THROTTLE IS DISPLACED ON START UP

BATTERY GAUGE (747011)



MALE CONNECTOR 747033

HORN/BACK UP ALARM 748200

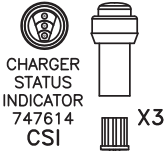
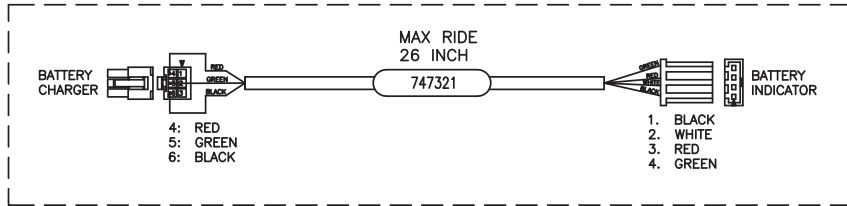


745120 REV A



RELAY NUT COVER
 MAIN RELAY M8 15592033 (4)
 VACUUM RELY M6 15592025 (2)
 BRUSH MOTOR RELAY M6 15592025 (4)

*RELAY TERMINALS ARE METRIC
 MAIN RELAY: M8 TORQUE TO 8-9.5Nm
 VACUUM & BRUSH RELAY: M6 TORQUE TO 3.6-3.9Nm

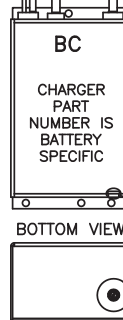


120VAC 60Hz
or
230VAC 50Hz
(different plug)
CORD
748680CE
748680 (UK)

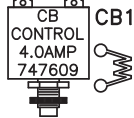
CHARGER
957760
IEC60320 C14

BATTERY CHARGER
100-240V~ 50/60Hz
957761 (115VAC)
NEMA 5/15P
957760 (230VAC)
IEC 60320 C14

MAX RIDE 26
BATTERY CHARGER
100-240V~ 50/60Hz
957764 (115VAC)
NEMA 5/15P
957760 (230VAC)
IEC 60320 C14



RED 747243



MR20 (WHT) MR26 (RED)
MR20 (BLK) MR26 (WHT)

1:RED
2:BLACK

BLACK 747313

BLACK 747313

BLACK 747637-2

RED 747637-1

RED 747330

RED 747328

RED 747305

MAIN RELAY
90331026

GREY/BLACK 747356

BLACK 747234

BROWN/WHITE 747335

RED/ORANGE
747238



BLACK 747235

BLACK 747315-2

BLACK 747322

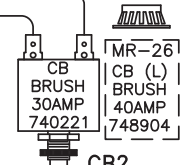
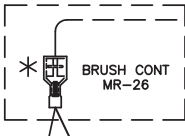
P/O BLACK 747234

RED 747305

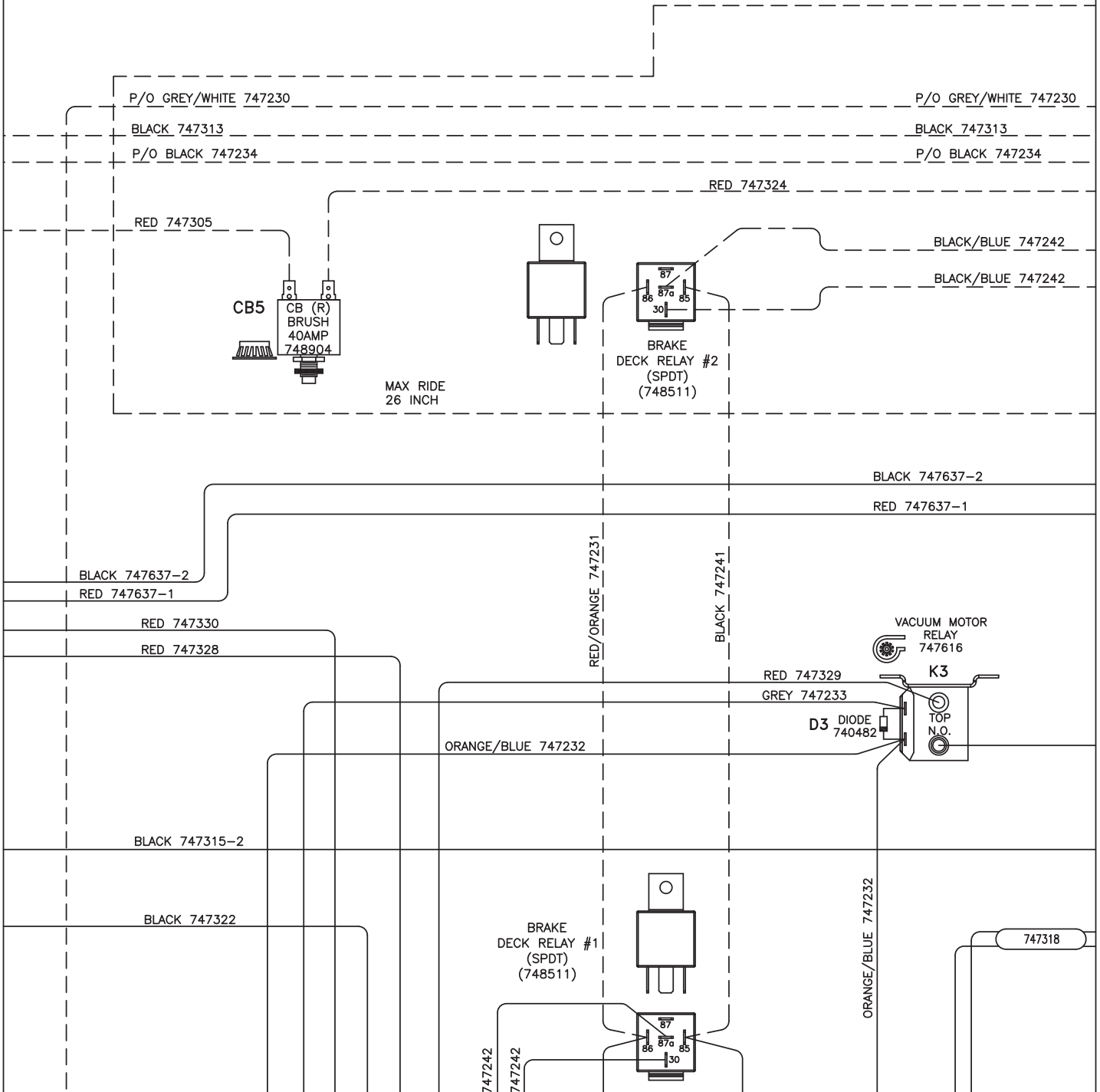
BLACK 747241

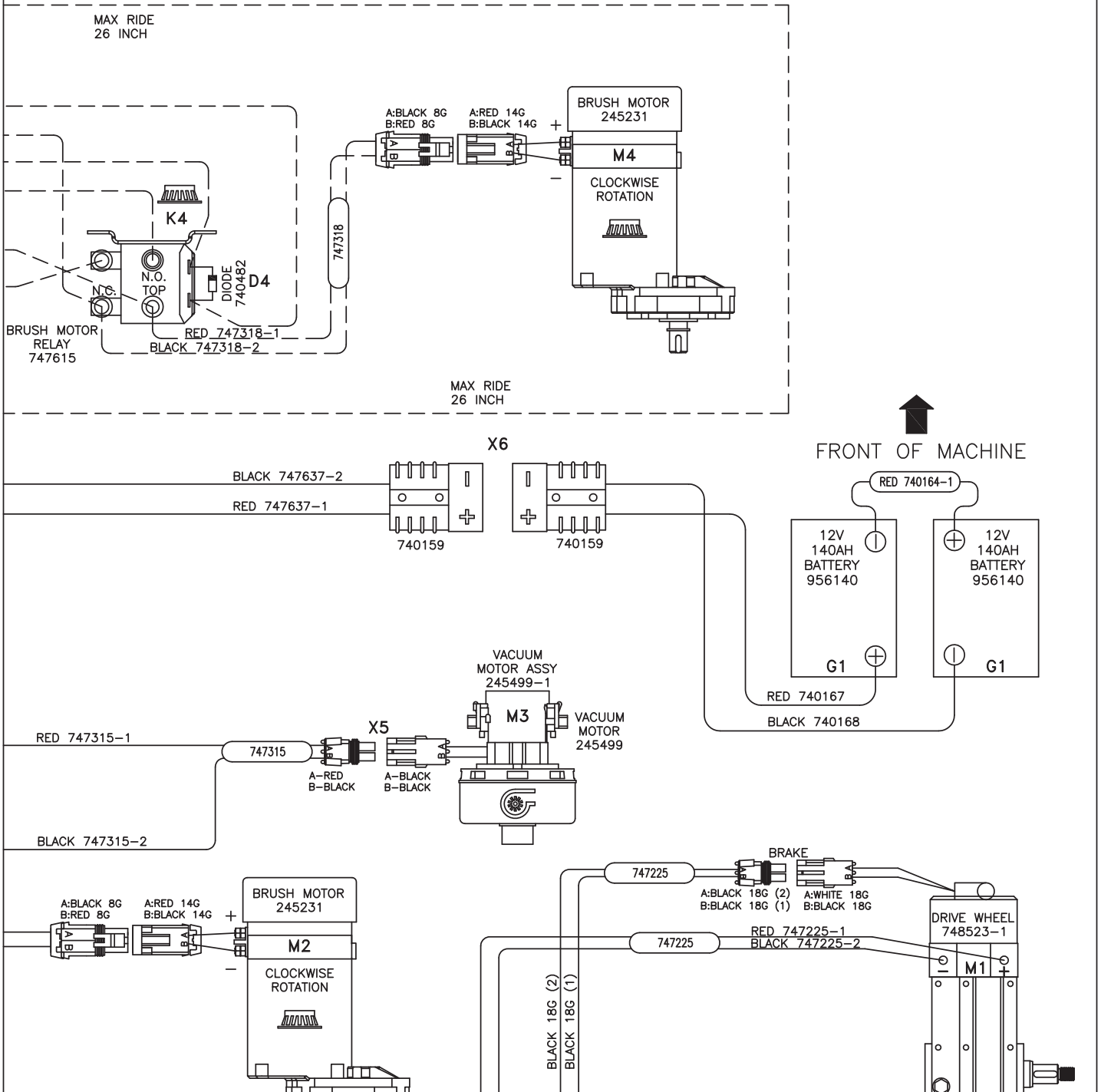
RED/ORANGE 747238

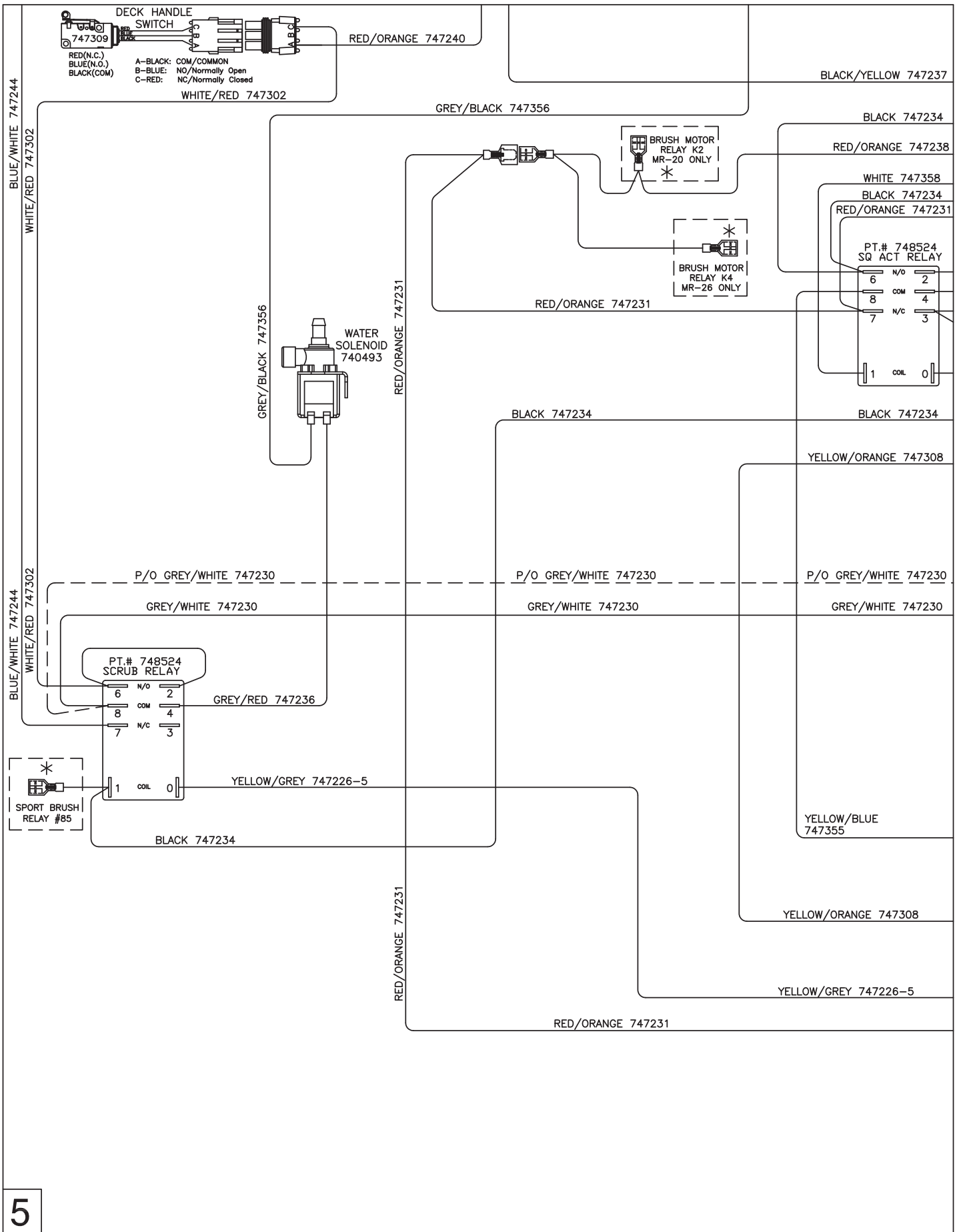
BLACK 747313

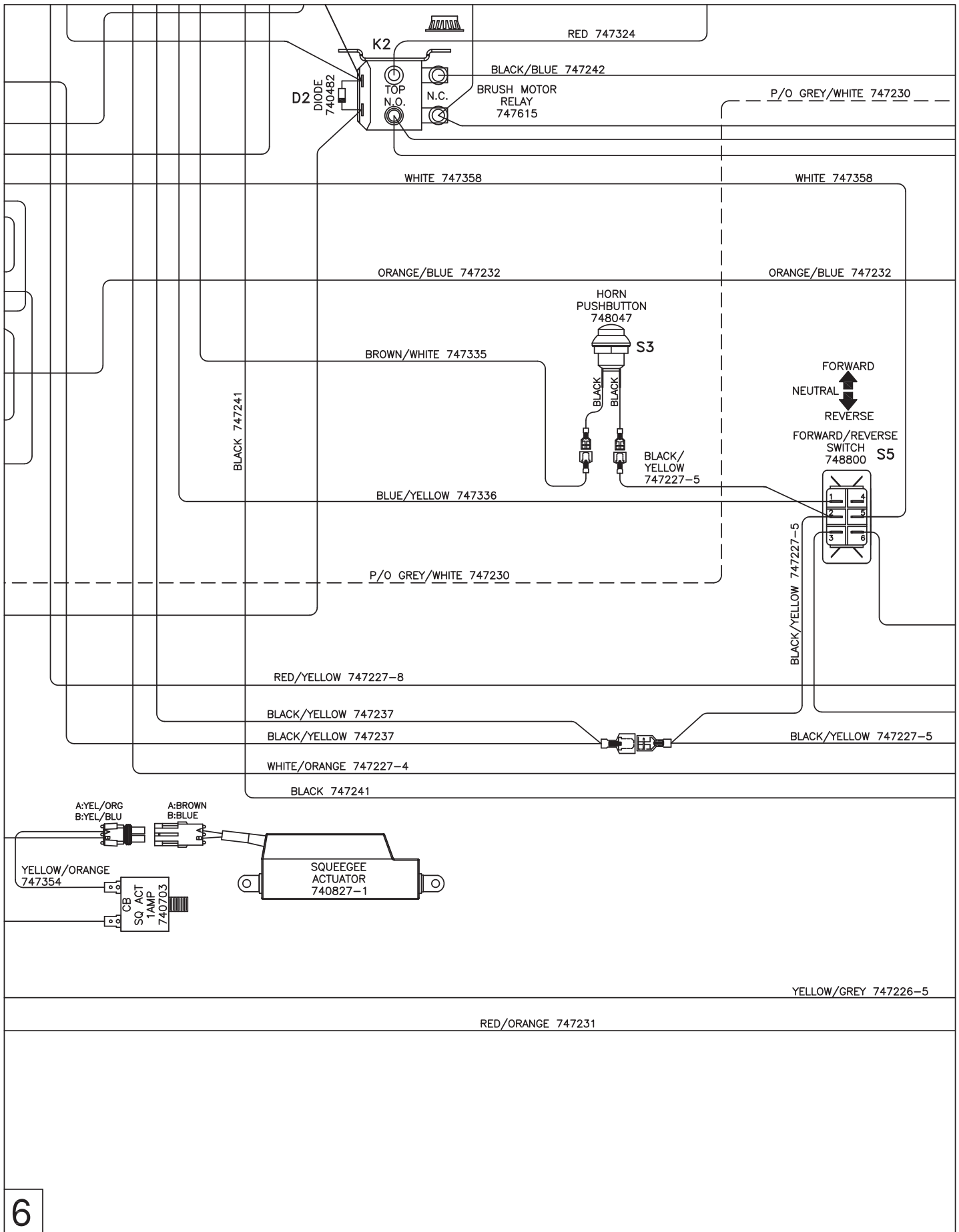


CB2

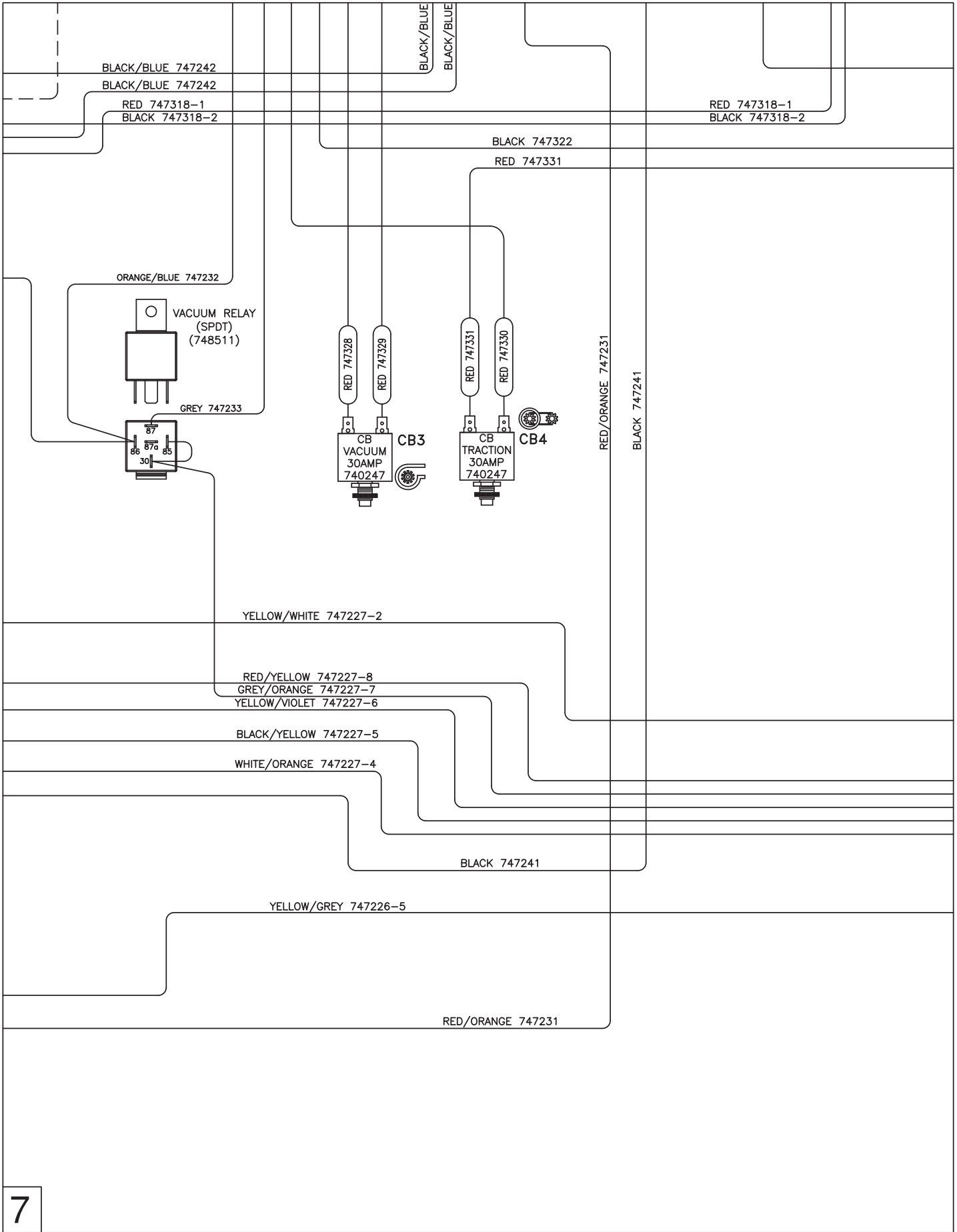




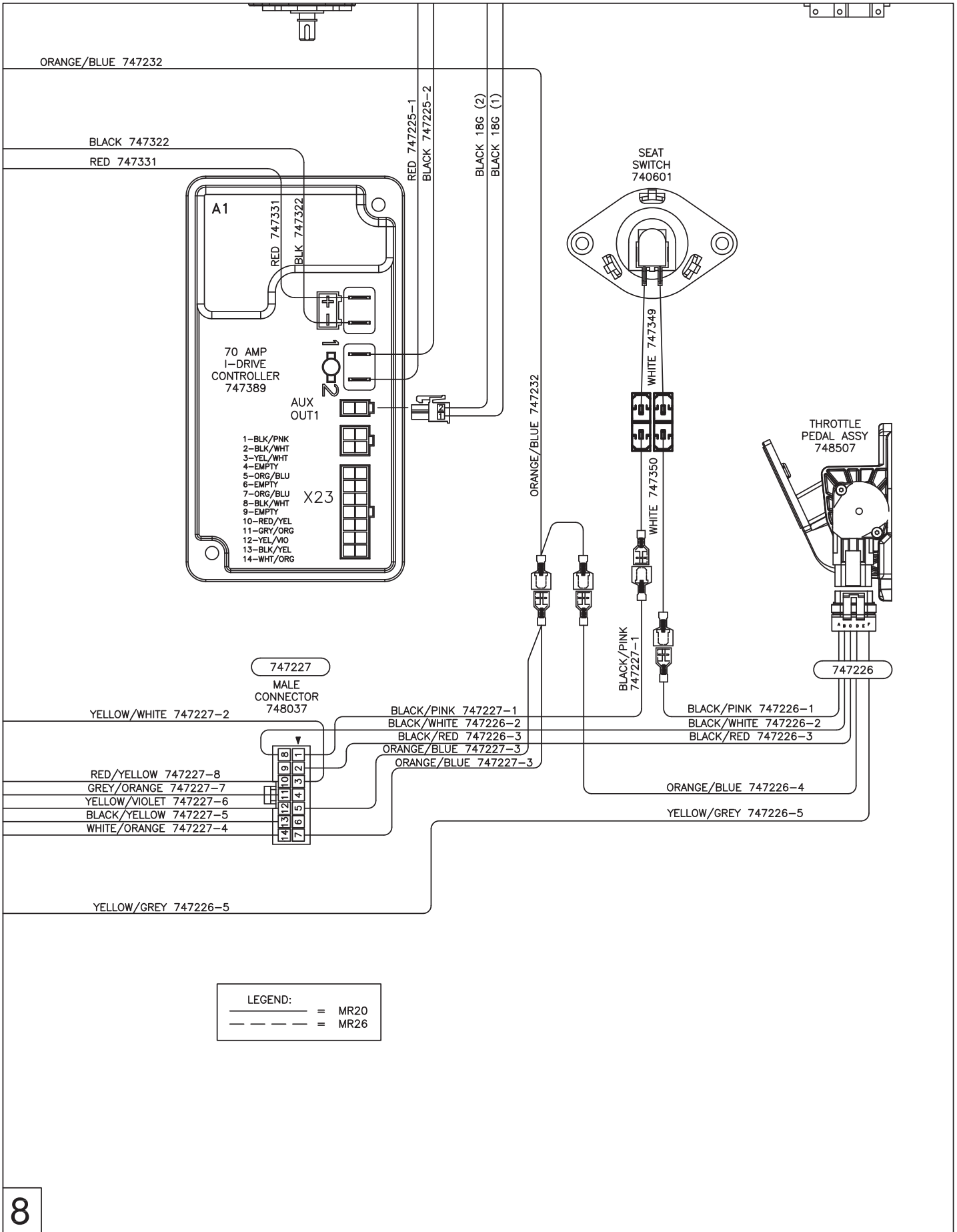




6

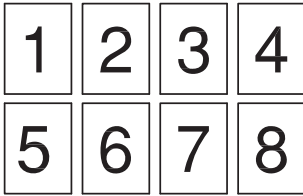


7

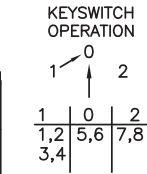
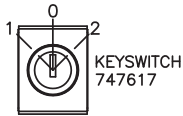


1

PAGE LAYOUT

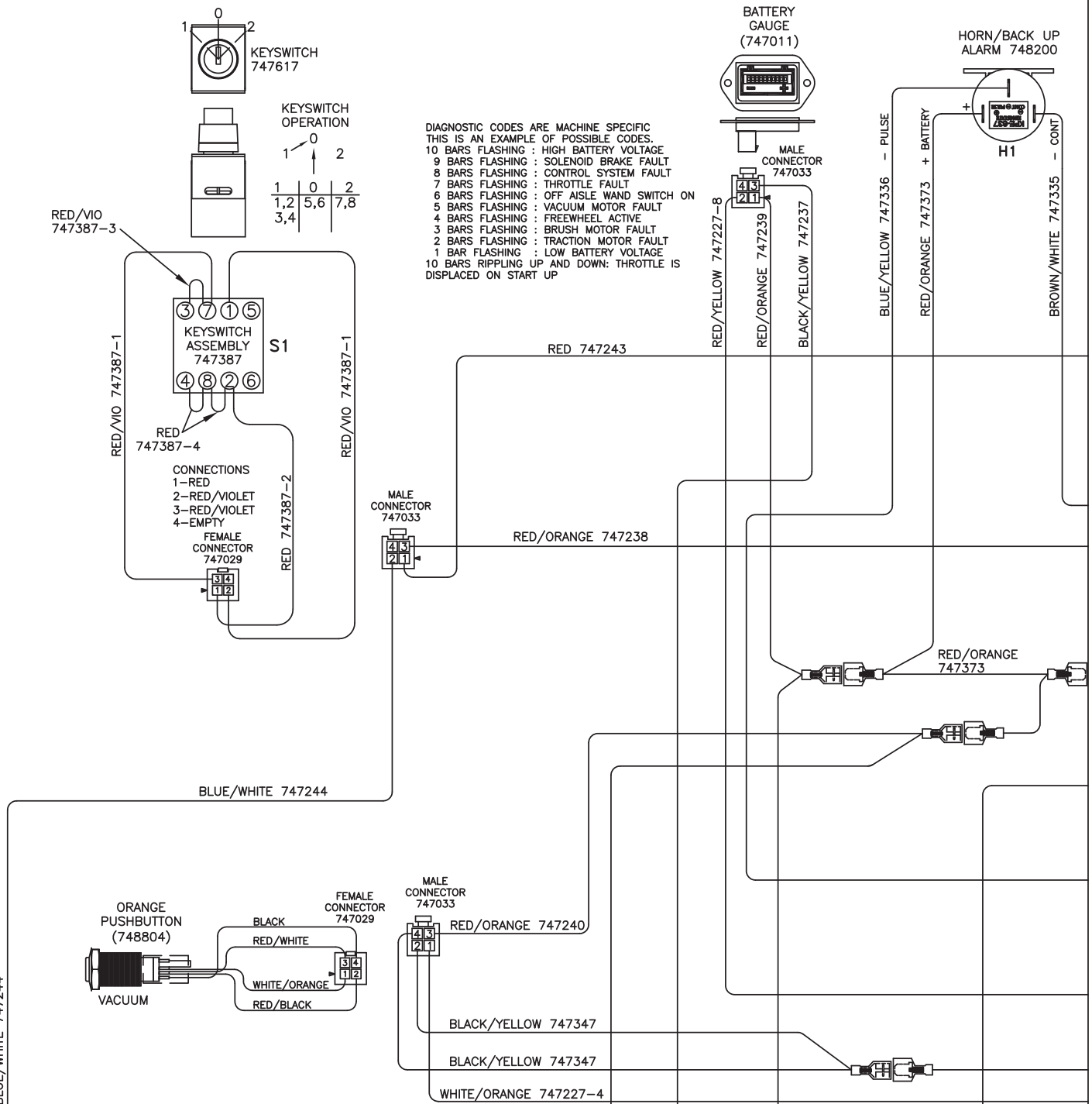


PAGES GO TOGETHER AS SHOWN TO SEE THE ENTIRE SCHEMATIC AS ONE.

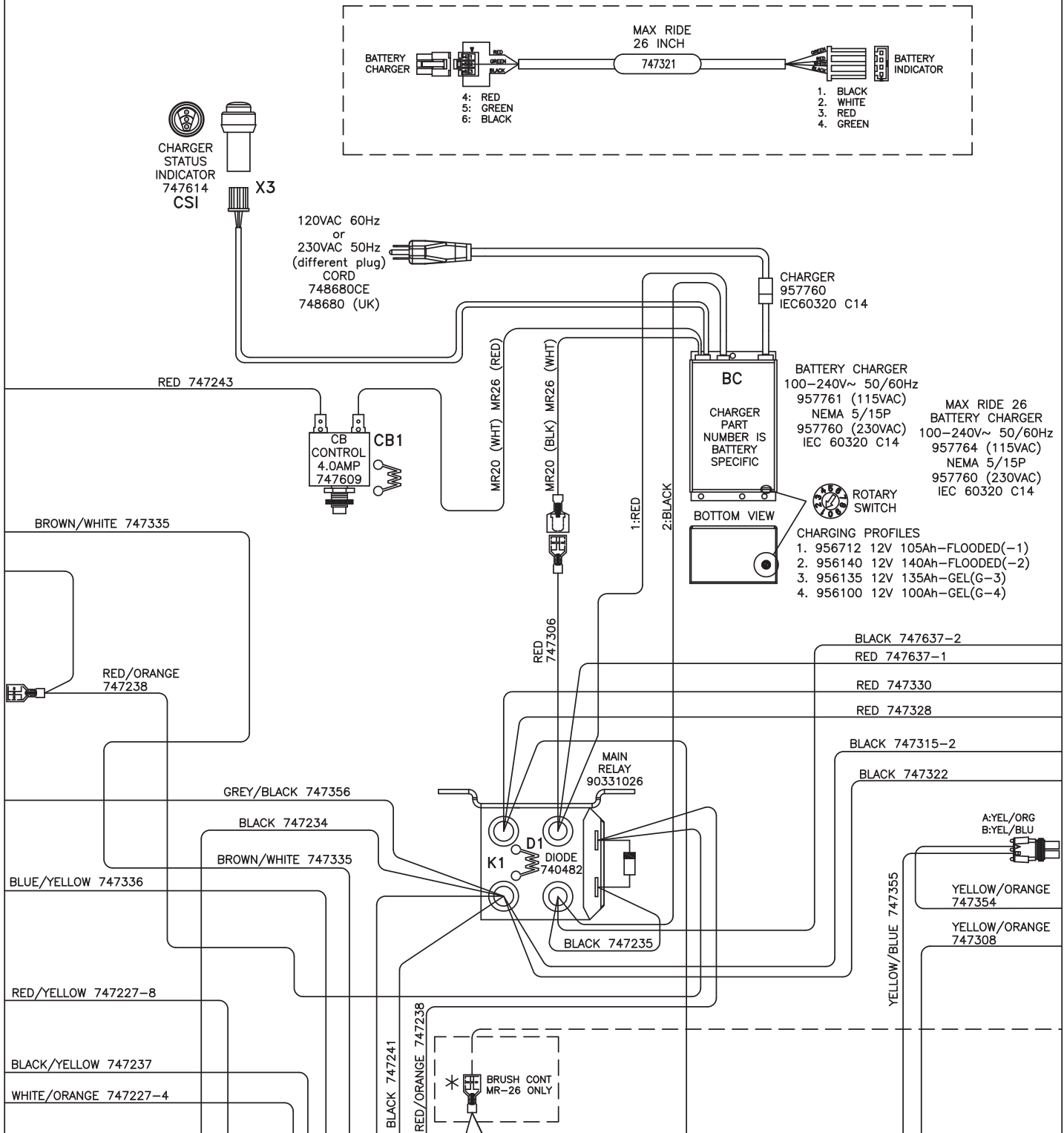


DIAGNOSTIC CODES ARE MACHINE SPECIFIC
THIS IS AN EXAMPLE OF POSSIBLE CODES.

- 10 BARS FLASHING : HIGH BATTERY VOLTAGE
- 9 BARS FLASHING : SOLENOID BRAKE FAULT
- 8 BARS FLASHING : CONTROL SYSTEM FAULT
- 7 BARS FLASHING : THROTTLE FAULT
- 6 BARS FLASHING : OFF AISLE WAND SWITCH ON
- 5 BARS FLASHING : VACUUM MOTOR FAULT
- 4 BARS FLASHING : FREEWHEEL ACTIVE
- 3 BARS FLASHING : BRUSH MOTOR FAULT
- 2 BARS FLASHING : TRACTION MOTOR FAULT
- 1 BAR FLASHING : LOW BATTERY VOLTAGE
- 10 BARS RIPPLING UP AND DOWN: THROTTLE IS DISPLACED ON START UP



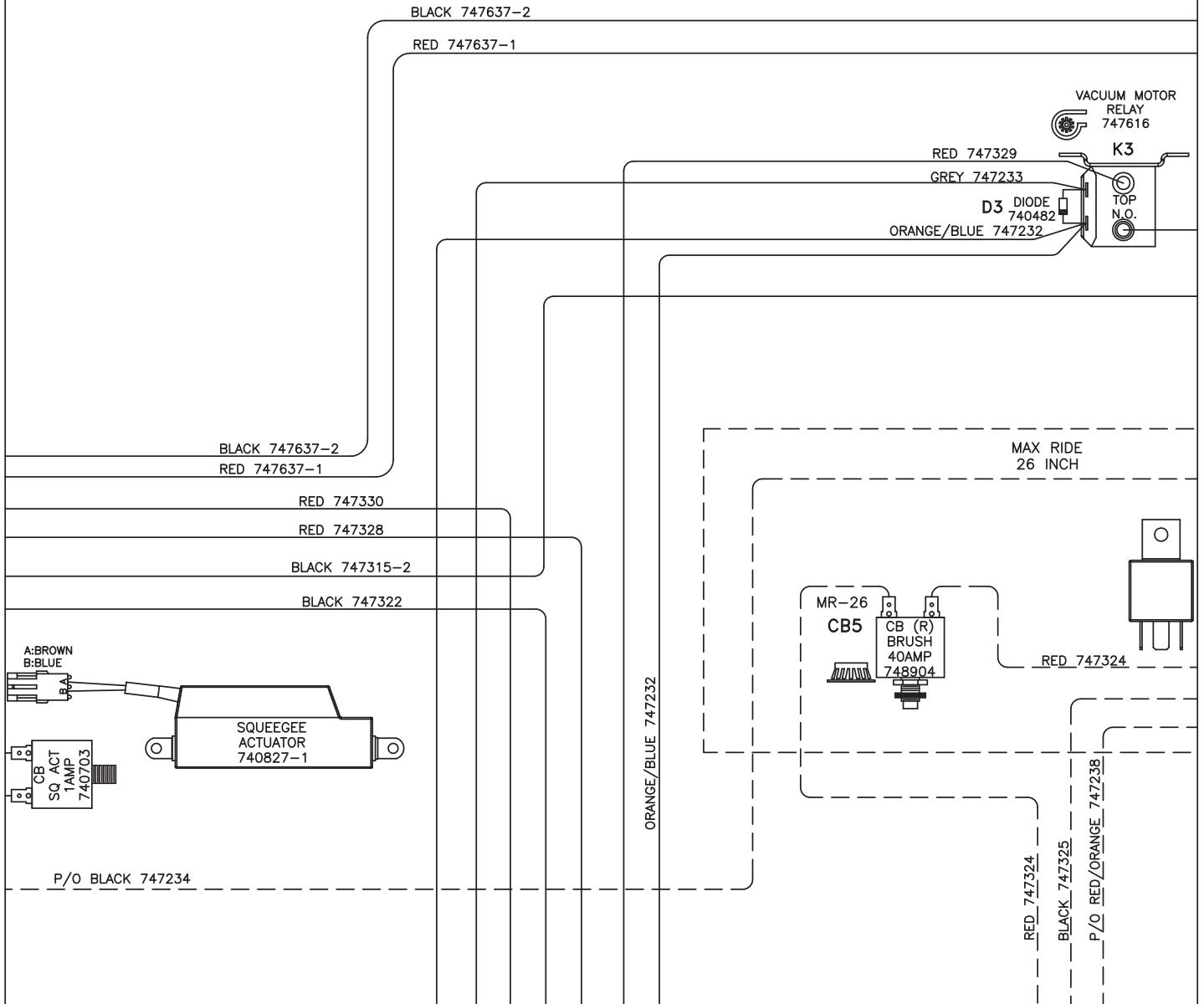
745121 REV A

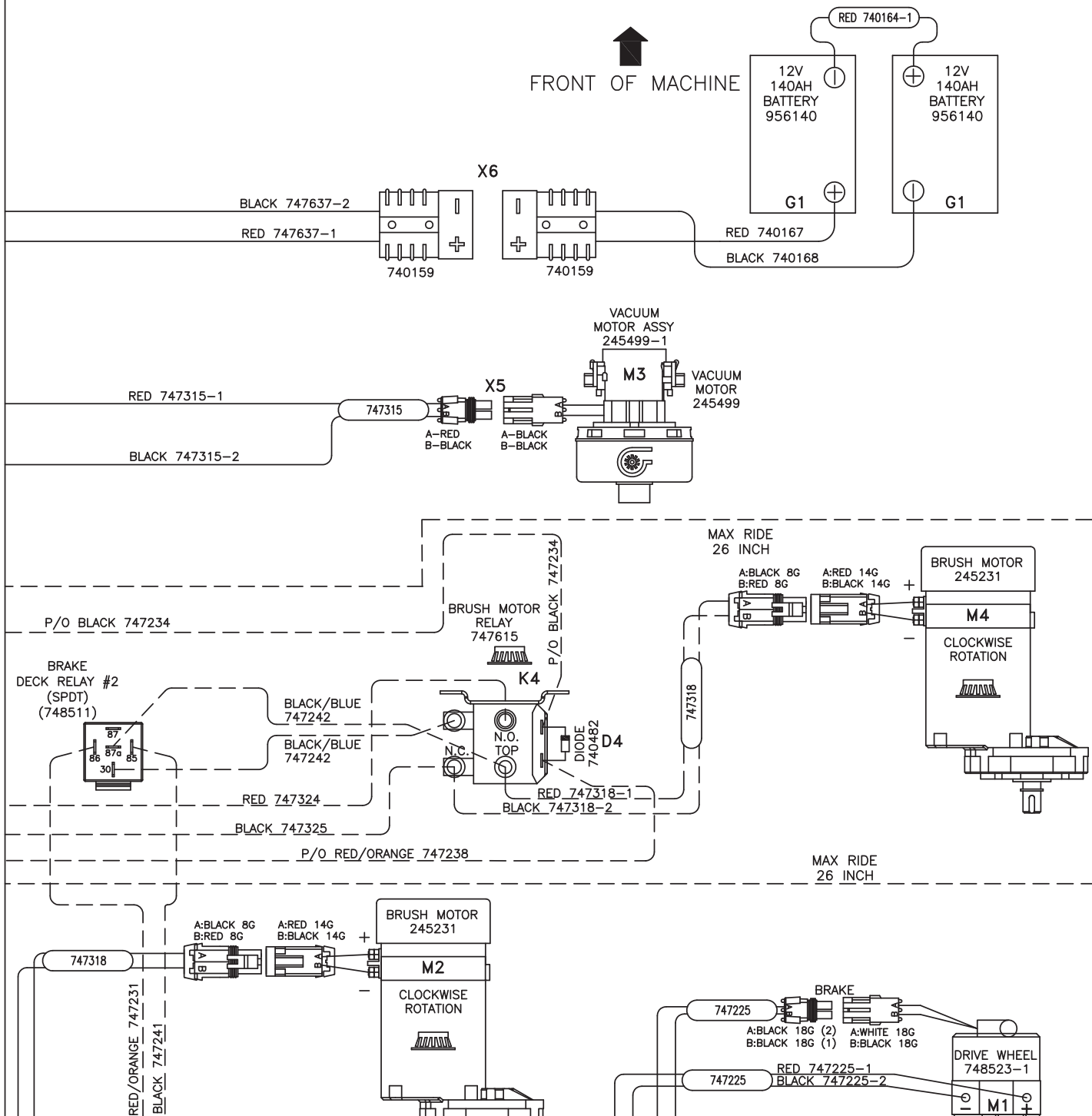


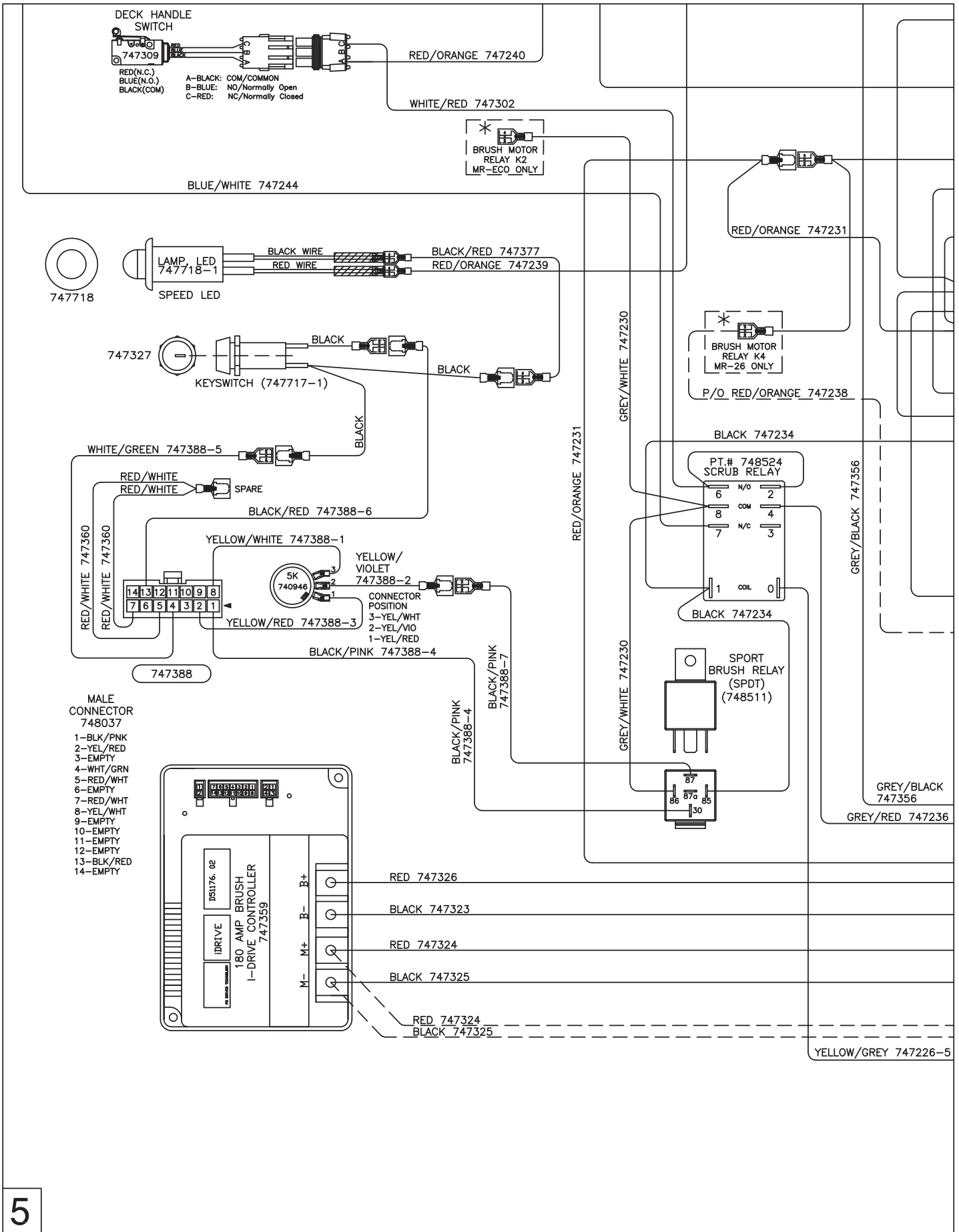


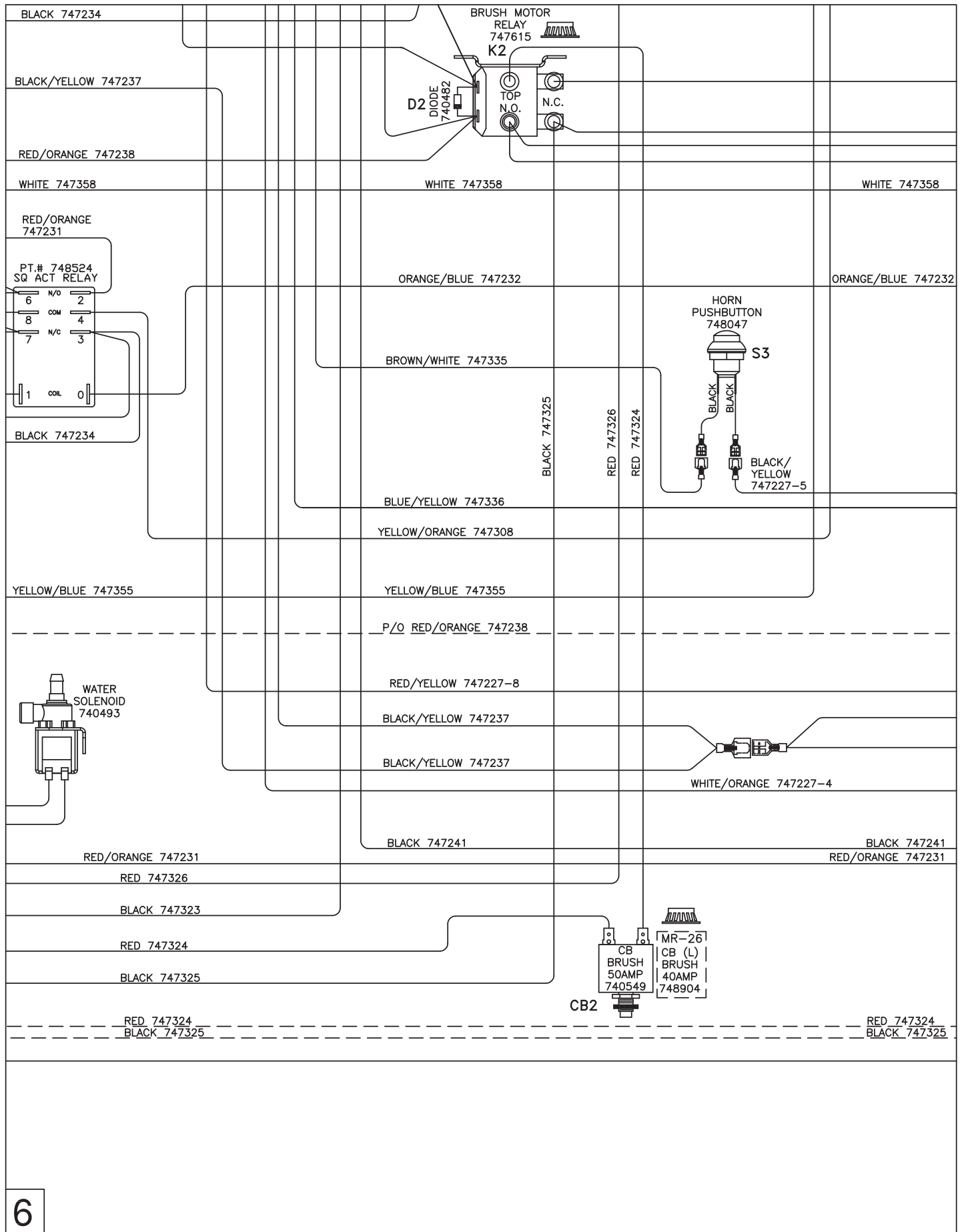
RELAY NUT COVER
 MAIN RELAY M8 15592033 (4)
 VACUUM RELY M6 15592025 (2)
 BRUSH MOTOR RELAY M6 15592025 (4)

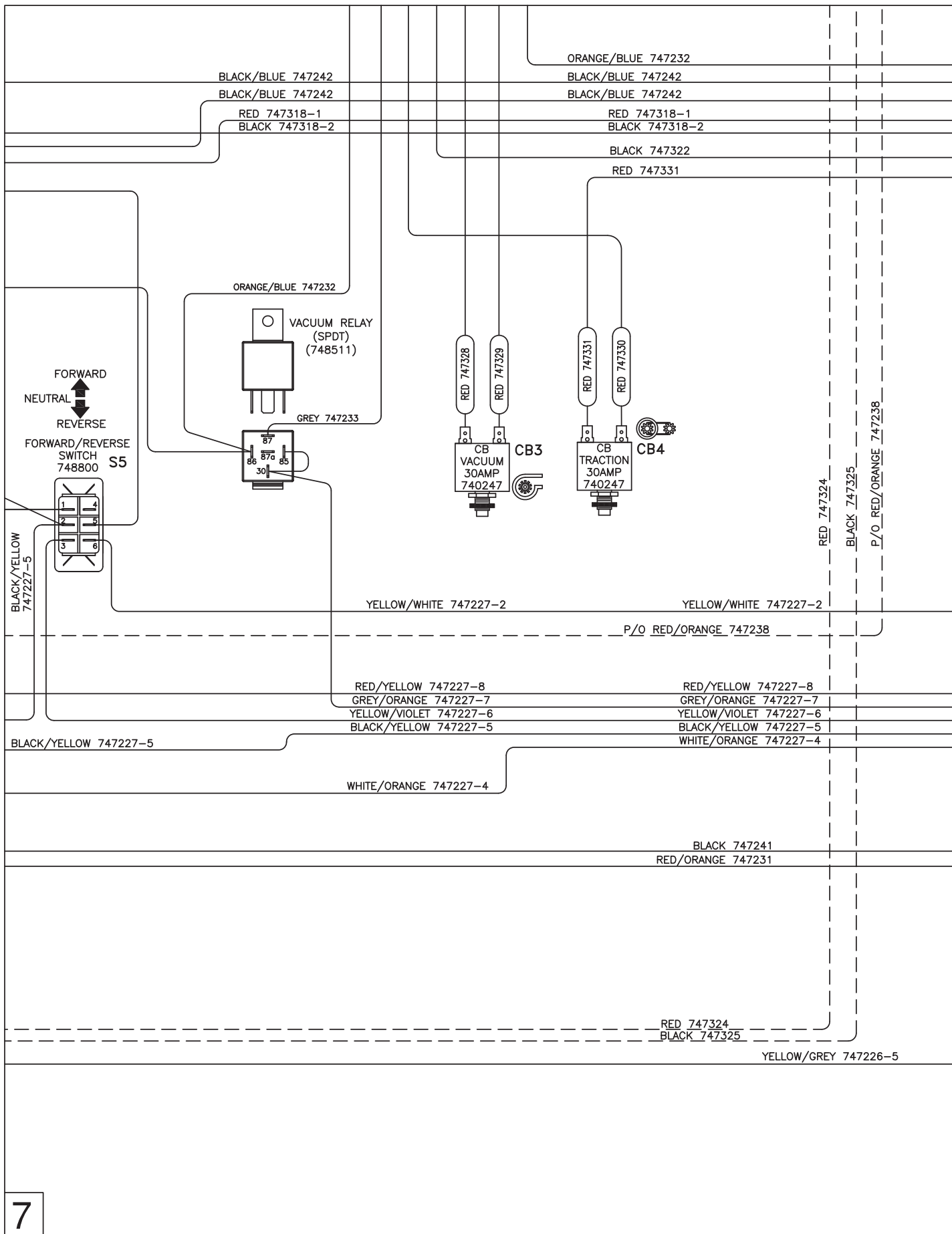
*RELAY TERMINALS ARE METRIC
 MAIN RELAY: M8 TORQUE TO 8-9.5Nm
 VACUUM & BRUSH RELAY:M6 TORQUE TO 3.6-3.9Nm

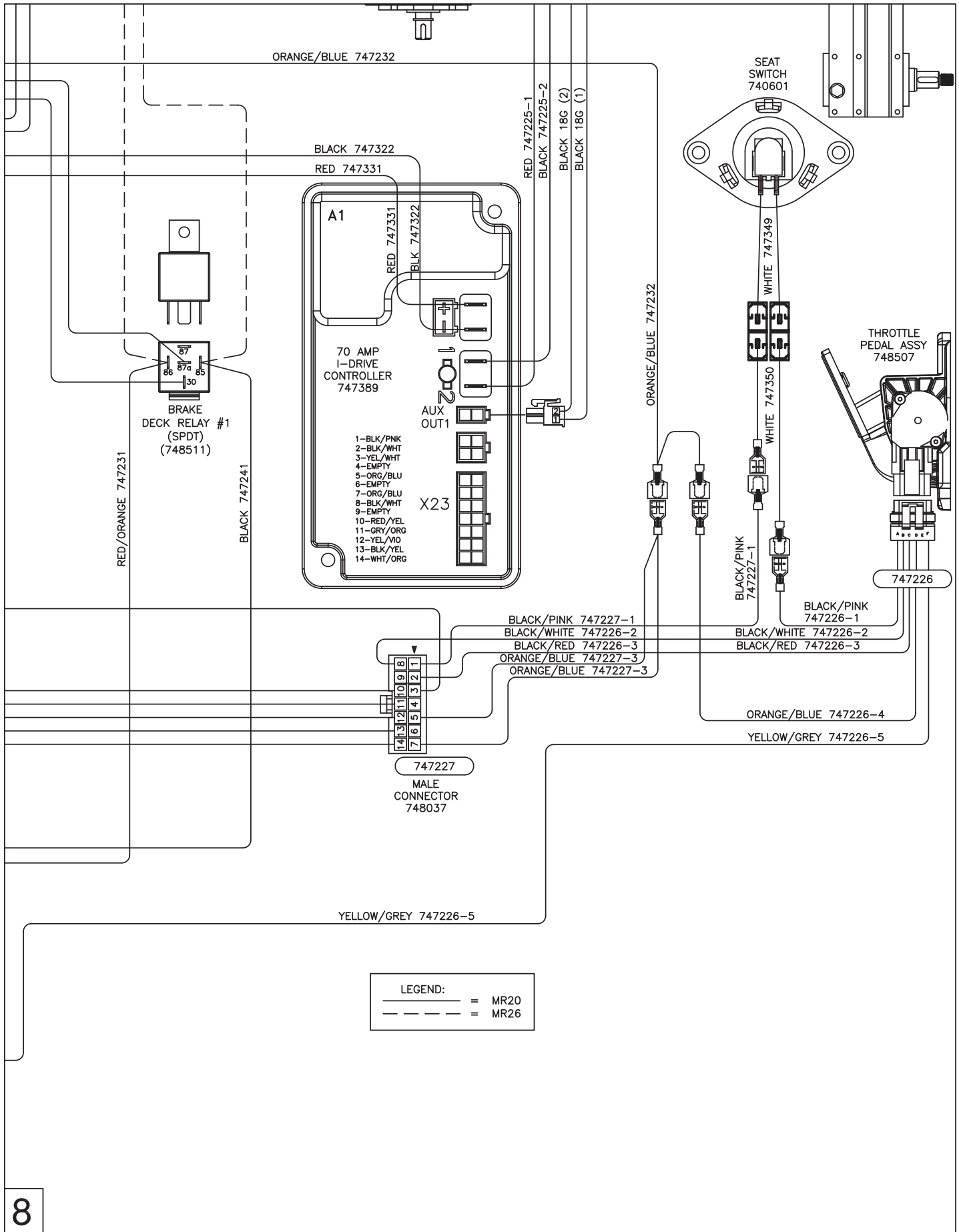












Minuteman International Made Simple Commercial Limited Warranty

REVISION Q EFFECTIVE 4/10/18

Minuteman International, Inc. warrants to the original purchaser/user that the product is free from defects in workmanship and materials under normal use. Minuteman will, at its option, repair or replace without charge, parts that fail under normal use and service when operated and maintained in accordance with the applicable operation and instruction manuals. All warranty claims must be submitted through and approved by factory authorized repair stations.

This warranty does not apply to normal wear, or to items whose life is dependent on their use and care, such as belts, cords, switches, hoses, rubber parts, brushes, electrical motor components or adjustments. Parts manufactured by Minuteman are covered by and subject to the warranties and/or guarantees of their manufacturers. Please contact Minuteman for procedures in warranty claims against these manufacturers.

Special warning to purchaser -- Use of replacement filters and/or pre-filters not manufactured by Minuteman or its designated licensees, will void all warranties expressed or implied. A potential health hazard exists without original equipment replacement.

All warranted items become the sole property of Minuteman or its original manufacturer, whichever the case may be.

Minuteman disclaims any implied warranty, including the warranty of merchantability and the warranty of fitness for a particular purpose. Minuteman assumes no responsibility for any special, incidental or consequential damages.

This limited warranty is applicable only in the U.S.A. and Canada, and is extended only to the original user/purchaser of this product. Customers outside the U.S.A. and Canada should contact their local distributor for export warranty policies. Minuteman is not responsible for costs or repairs performed by persons other than those specifically authorized by Minuteman. This warranty does not apply to damage from transportation, alterations by unauthorized persons, misuse or abuse of the equipment, use of non-compatible chemicals, or damage to property, or loss of income due to malfunctions of the product.

If a difficulty develops with this machine, you should contact the dealer from whom it was purchased.

This warranty gives you specific legal rights, and you may have other rights which vary from state to state. Some states do not allow the exclusion or limitation of special, incidental or consequential damages, or limitations on how long an implied warranty lasts, so the above exclusions and limitations may not apply to you.

Model	Parts	Labor	Poly	Travel**
Cord Electric Group	5yrs	3yrs	12yrs	90 days
Battery Auto Scrubbers (incl. on board charger)	5yrs	3yrs	12yrs	90 days
Battery and Manual Sweepers	3yrs	3yrs	12yrs	90 days


Exceptions.....

Model	Parts	Labor	Poly	Travel**
Port A Scrub, all models (incl. on board charger)	1yr	6months	12yrs	90 days
A3S Blower	1yr	1yr	0	0
Phenom Dual Motor Upright Vacuums	2yrs	2yrs	0	0
Explosion Proof Vacuum	1yr	1yr	0	0
Propane Burnisher	1yr	1yr	0	90 days
E14BQP and E14115 scrubber	1yr	1yr	12yrs	90 days
EZ-Mop	1yr	1yr	0	90 days
ROS-17	1yr	1yr	0	90 days
**Travel, 2 hours max				

<i>Stand-alone Battery Chargers:</i>	One year
<i>Replacement Parts:</i>	Ninety days
<i>Batteries:</i>	0-3 months full replacement, 4-12 months pro-rate
<i>Polypropylene Plastic Tanks:</i>	12yr warranty, no additional labor

“Excellence Meets Clean”

**Minuteman is a Full Line Manufacturer of Sweepers and Scrubbers,
for Industrial Facilities.**



14N845 U.S. Route 20, Pingree Grove, IL 60140 USA
Phone (800) 323-9420 - www.minutemanintl.com
A Member of the Hako Group